

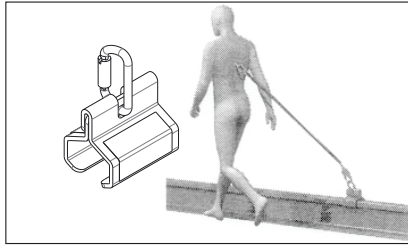


Rail Dog Rail Anchor

Model Number 2199938

USER INSTRUCTION MANUAL:

This manual is intended to meet industry standards including OSHA, and should be used as part of an employee training program as required by OSHA.



IMPORTANT: This product is to be used as part of a personal fall protection system. It is intended to be used as an anchorage point for either a shock-absorbing lanyard or self-retracting lifeline for fall arrest, or with a positioning lanyard for fall restraint. This unit should not be used for material handling or any other use other than that of a fall protection anchorage.

WARNING: You must read and understand, or have the following instructions explained to you before using this equipment. Failure to do so could result in injury or death.

APPLICATION:

The Rail Dog rail anchor is designed to meet the needs of those workers that are either working on a crane rail runway or railway line that require a compliant means to anchor a personal fall arrest system (PFAS). The Rail Dog allows the user to quickly and easily affix the anchor unit to a rail and then attach their PFAS. The unit is designed to allow some horizontal movement along the anchor rail through sliding the Rail Dog, but is not designed to pass rail splice plates.

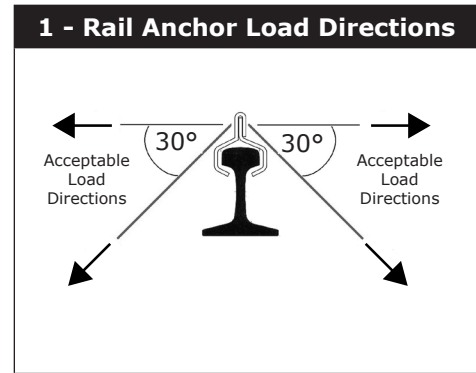
1.0 LIMITATIONS

- 1.1 RAIL SIZE:** The Rail Dog rail anchor is designed to be used with a wide range of the most popular rail sizes and profiles. The unit accommodates rail section widths from 2.75 in. to 3.25 in. It can be used on rail sections from 90 to 141 lbs/yd and 132 lb Head Free rail. Under no circumstances should the Rail Dog rail anchor be used on rails with section widths or rail weights outside of this range.
- 1.2 RAIL SLOPE:** The Rail Dog rail anchor is designed to operate on crane or railway rails with less than 15 degrees of slope. Should the unit be used on rails with a slope of greater incline, there is the risk of the unit sliding upon impact loading and creating a dangerous situation for the user.
- 1.3 CAPACITY:** The Rail Dog rail anchor is designed to serve as an anchorage point for one user with a combined weight of 310 lbs (user and tools). The units should not be used by workers with a greater combined weight.
- 1.4 FREE FALL:** The PFAS selected for use with the Rail Dog rail anchor must be rigged to limit free fall to 6 ft. or less when possible, as required by OSHA. See Section 3.7
- 1.5 SWING FALL:** Swing falls occur when the anchorage point is not directly above or below the point where the fall occurs. The force of striking an object as the result of a swing fall may cause serious injury. Minimize swing falls by working as close to the anchorage point as possible. Do not permit a swing fall if it could create an injury.
- 1.6 FALL CLEARANCE:** There must be sufficient clearance below the user to arrest a fall before the user strikes the ground or lower level hazard. The clearance required is dependent on the following factors:
 - Elevation of Rail Dog anchor
 - Lanyard length
 - Lanyard elongation
 - Worker height and weight
 - Free fall distance
 - Movement of harness attachment
 See personal fall arrest system manufacturer's instruction for more information.
- 1.7 ENVIRONMENTAL HAZARDS:** Use of this equipment with environmental hazards may require additional precautions to prevent injury to the user or damage to the equipment. Hazards may include, but are not limited to: heat, chemicals, corrosive environments, high voltage power lines, gasses, moving machinery, moving vehicles, and sharp edges. Contact Protecta if you have any questions about using this equipment where environmental hazards may exist.
- 1.8 TRAINING:** This equipment is intended to be used by persons trained in its correct application and use.
- 1.9 APPLICABLE STANDARDS:** Refer to national standards including ANSI Z359.1 - 2007 and local, state, and federal (OSHA) requirements for more information on personal fall arrest systems and components.

2.0 SYSTEM REQUIREMENTS

- 2.1 PFAS COMPONENTS:** The Rail Dog rail anchor is designed for use with Protecta approved components and subsystems. Non-approved components may be incompatible, and could affect the safety and reliability of the complete system. Any PFAS used with the Rail Dog rail anchor must meet applicable OSHA, state, federal, and ANSI requirements. A full body harness must be worn by the worker when connected to the Rail Dog. The PFAS must be able to arrest a worker's fall with a maximum arresting force of 1800 lbs. and where possible, limit the free fall distance to 6 ft. Also see Section 3.7.
- 2.2 Compatibility of Connectors:** Connector must support at least 5,000 lbs. Noncompatible connectors may unintentionally disengage (roll out). **The carabiner supplied with the Rail Dog rail anchor is specifically designed with a special 5,000 lb. side load capable gate for this specialized application. This carabiner must not be replaced with any other carabiner. Replacing the carabiner with any other connector could result in injury or death.**

- 2.3 Anchorage Strength:** Rail anchors installed for fall arrest applications must be attached to a rail capable of sustaining static loads of at least 3,600 lbs. by a qualified person or 5,000 lbs without certification. See ANSI Z359.1 - 2007 for certification definition and OSHA 29 CFR for "qualified person" definition.
- During a fall, the rail anchor is only to be loaded in the directions depicted in Figure 1.



3.0 INSTALLATION AND OPERATION

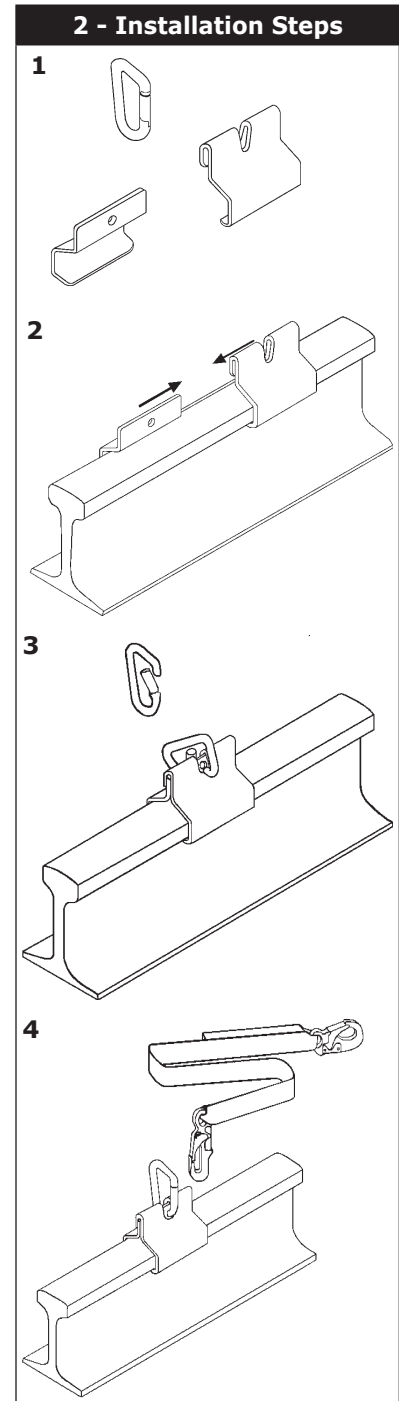
- 3.1 Before each use of this equipment,** carefully inspect it according to the inspection procedure listed in Section 5.
- 3.2 Installation:** The Rail Dog rail anchor is constructed of two sections. When placed together, they are locked in place on the rail with the supplied carabiner. See Figure 2. Once the carabiner has locked the sections in position on the rail, the user's lanyard may be attached to the carabiner.
- 3.3 Installation Steps:**
- Step 1.** Remove the carabiner and separate the Rail Dog halves.
- Step 2.** Place the Rail Dog halves around the rail head and slide the sections together.
- Step 3.** Lock the sections together using the supplied carabiner.
- Step 4.** Attach one end of the user's lanyard to the carabiner and connect the other end of the lanyard to the user's full body harness.
- 3.4 Operation:** Inspect and don your full body harness according to the manufacturer's instructions. Attach the connecting subsystem (lanyard) to the dorsal (back) D-ring of the harness.
- 3.5 Structure Review:** Ensure that the structure you will be connecting to is properly supported before securing your connecting subsystem to the Rail Dog rail anchor. Approach the structure using appropriate access equipment.
- 3.6 Anchorage Rail:** Secure the Rail Dog rail anchor only to rails capable of supporting the required loads.
- 3.7 Free Fall:** The PFAS must be rigged to limit free fall to a maximum of 6 ft. where possible, in accordance with OSHA requirements.

WARNING: Make sure the connecting subsystem (for example, lanyard, shock absorber or self-retracting lifeline) is rated for the possible free fall. Failure to select a properly rated connecting subsystem may result in serious injury or death.

- 3.8 Sharp Edges or Obstruction:** Avoid working where the connecting subsystem (lanyard) or other system components may come into contact with or abrade against sharp edges.
- 3.9 After a Fall:** Components which have been subjected to fall arrest forces must be removed from service and destroyed.
- 3.10 Rescue:** The employer must have a rescue plan and the ability to implement it.

4.0 TRAINING

- 4.1 TRAINING:** It is the responsibility of the user and purchaser of this equipment to be familiar with the instructions, operating characteristics, application limits, and the consequences of improper use of this equipment. Users and purchasers of this equipment must be trained in the correct care and use of this equipment.



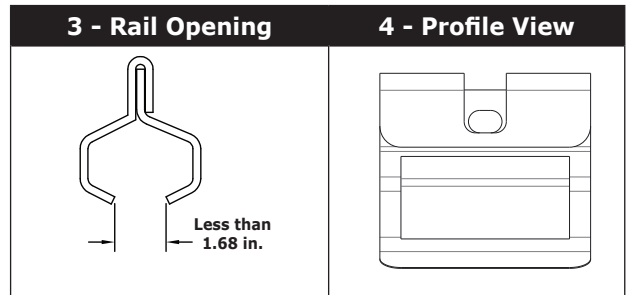
5.0 INSPECTION

5.1 INSPECTION FREQUENCY:

- Before each use, inspect the anchorage system per Section 5.2.
- At regular intervals, and at least annually, the Rail Dog rail anchor must be formally inspected by a qualified person other than the user. Inspect the Rail Dog rail anchor per Section 5.2 and record the results of formal inspections in the Inspection and Maintenance Log at the back of this booklet.

5.2 INSPECTION POINTS:

- Check the carabiner for cracks or deformities. Make sure the gate opens and closes properly and locks securely.
- Check that the rail opening is less than 1.68 in. Remove the device from service if the opening is at or greater than this measurement. See Figures 3 & 4.
- Inspect all metal parts for rust corrosion or other obvious deformities.
- Inspect all other components of the system according to instructions supplied with them.



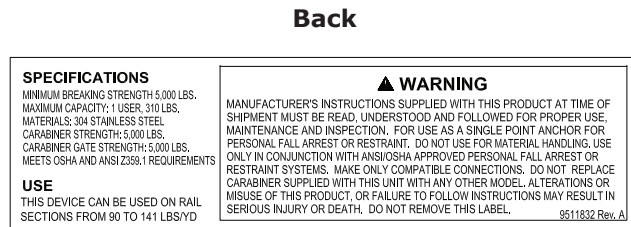
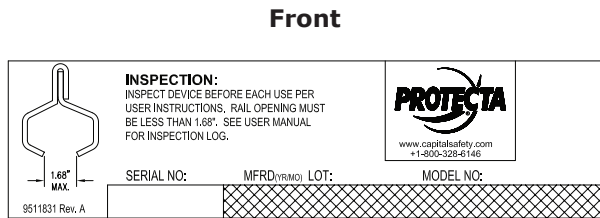
5.3 UNSAFE OR DEFECTIVE CONDITIONS: If inspection reveals an unsafe or defective condition, remove the unit from service and destroy it.

6.0 MAINTENANCE AND STORAGE

- 6.1 MAINTENANCE:** Periodically clean the of the Rail Dog rail anchor with water and mild soap solution.
- 6.2 SYSTEM COMPONENTS:** Clean and store body support and associated system components according to manufacturer’s instructions.
- 6.3 STORAGE:** Store in a cool, dry, clean environment, out of direct sunlight. Avoid areas where chemical vapors may exist. Inspect the system after extended storage.

7.0 LABELING

7.1 The following labels must be present and fully legible:



INSPECTION AND MAINTENANCE LOG

SERIAL NUMBER:			
MODEL NUMBER:			
DATE PURCHASED:		DATE OF FIRST USE:	
INSPECTION DATE	INSPECTION ITEMS NOTED	CORRECTIVE ACTION	MAINTENANCE PERFORMED
Approved By:			
Approved By:			
Approved By:			
Approved By:			
Approved By:			
Approved By:			
Approved By:			

LIMITED LIFETIME WARRANTY

Warranty to End User: D B Industries, LLC dba CAPITAL SAFETY USA ("CAPITAL SAFETY") warrants to the original end user ("End User") that its products are free from defects in materials and workmanship under normal use and service. This warranty extends for the lifetime of the product from the date the product is purchased by the End User, in new and unused condition, from a CAPITAL SAFETY authorized distributor. CAPITAL SAFETY'S entire liability to End User and End User's exclusive remedy under this warranty is limited to the repair or replacement in kind of any defective product within its lifetime (as CAPITAL SAFETY in its sole discretion determines and deems appropriate). No oral or written information or advice given by CAPITAL SAFETY, its distributors, directors, officers, agents or employees shall create any different or additional warranties or in any way increase the scope of this warranty. CAPITAL SAFETY will not accept liability for defects that are the result of product abuse, misuse, alteration or modification, or for defects that are due to a failure to install, maintain, or use the product in accordance with the manufacturer's instructions.

CAPITAL SAFETY'S WARRANTY APPLIES ONLY TO THE END USER. THIS WARRANTY IS THE ONLY WARRANTY APPLICABLE TO OUR PRODUCTS AND IS IN LIEU OF ALL OTHER WARRANTIES AND LIABILITIES, EXPRESSED OR IMPLIED. CAPITAL SAFETY EXPRESSLY EXCLUDES AND DISCLAIMS ANY IMPLIED WARRANTIES OF MERCHANTABILITY OR FITNESS FOR A PARTICULAR PURPOSE, AND SHALL NOT BE LIABLE FOR INCIDENTAL, PUNITIVE OR CONSEQUENTIAL DAMAGES OF ANY NATURE, INCLUDING WITHOUT LIMITATION, LOST PROFITS, REVENUES, OR PRODUCTIVITY, OR FOR BODILY INJURY OR DEATH OR LOSS OR DAMAGE TO PROPERTY, UNDER ANY THEORY OF LIABILITY, INCLUDING WITHOUT LIMITATION, CONTRACT, WARRANTY, STRICT LIABILITY, TORT (INCLUDING NEGLIGENCE) OR OTHER LEGAL OR EQUITABLE THEORY.



Global Leader in Fall Protection

USA

3833 SALA Way
Red Wing, MN 55066-5005
Toll Free: 800.328.6146
Phone: 651.388.8282
Fax: 651.388.5065
solutions@capitalsafety.com

Brazil

Rua Anne Frank, 2621
Boqueirão Curitiba PR
81650-020
Brazil
Phone: 0800-942-2300
brasil@capitalsafety.com

Mexico

Calle Norte 35, 895-E
Col. Industrial Vallejo
C.P. 02300 Azcapotzalco
Mexico D.F.
Phone: (55) 57194820
mexico@capitalsafety.com

Colombia

Compañía Latinoamericana de Seguridad S.A.S.
Carrera 106 #15-25 Interior 105 Manzana 15
Zona Franca - Bogotá, Colombia
Phone: 57 1 6014777
servicioalcliente@capitalsafety.com

Canada

260 Export Boulevard
Mississauga, ON L5S 1Y9
Phone: 905.795.9333
Toll-Free: 800.387.7484
Fax: 888.387.7484
info.ca@capitalsafety.com

EMEA (Europe, Middle East, Africa)

EMEA Headquarters:
5a Merse Road
North Moons Moat
Redditch, Worcestershire
B98 9HL UK
Phone: + 44 (0)1527 548 000
Fax: + 44 (0)1527 591 000
csgne@capitalsafety.com

France:

Le Broc Center
Z.I. 1re Avenue - BP15
06511 Carros Le Broc Cedex
France
Phone: + 33 04 97 10 00 10
Fax: + 33 04 93 08 79 70
information@capitalsafety.com

Australia & New Zealand

95 Derby Street
Silverwater
Sydney NSW 2128
Australia
Phone: +(61) 2 8753 7600
Toll-Free : 1800 245 002 (AUS)
Toll-Free : 0800 212 505 (NZ)
Fax: +(61) 2 8753 7603
sales@capitalsafety.com.au

Asia

Singapore:
69, Ubi Road 1, #05-20
Oxley Bizhub
Singapore 408731
Phone: +65 - 65587758
Fax: +65 - 65587058
inquiry@capitalsafety.com

Shanghai:

Rm 1406, China Venturetech Plaza
819 Nan Jing Xi Rd,
Shanghai 200041, P R China
Phone: +86 21 62539050
Fax: +86 21 62539060
inquiry@capitalsafety.cn

www.capitalsafety.com

