



# Product Specifications

## Model: EB56 & EB66 Expandable Base Assembly

The Pelsue EB Series Expandable Base is built from structural aluminum, and has several steel and/or engineered plastic components. The EB Series Expandable Base is specifically designed to provide a lifting and lowering device and/or anchor point above a manway for a single person when used with a Pelsue DK Series Davit. All specifications, instructions, and procedures provided within the proper manual or upon Pelsue Specification Documents are based upon and only valid for usage with Pelsue DK Series Davit Kits and approved accessories. The T.A. Pelsue Company can not verify equipment safety and/or compliance when utilized with anything other than Pelsue products.

### General Specifications:

#### Product is designed and tested to be used in 2 General Applications:

1. As an offset davit system to be utilized as a personnel lifting, lowering, positioning, and/or confined space retrieval device.

**Man Rated Load Capacity**.....Single user of 350 LBS. (159 KG.) Maximum Weight @ end of Davit Arm

2. As an anchorage for personal fall arrest systems.

**Compliance**.....Designed and tested as a Fall Arrest Anchorage for one person

**Warning!** A 900 LB. maximum arrest force (MAF) fall arrest device must be used when system is employed as part of a complete fall arrest system. Maximum weight of each person upon anchorage is 350 LBS. (159 KG.) inclusive of all tools and equipment. Maximum davit arm offset is 24".

### Materials & Construction:

#### General Construction..... Structural Aluminum

- Hardware ..... Plated Steel
- Friction ..... ABS and/or PVC

#### Center Superstructure:

- Centerspan Tube ..... 6063-T52 Aluminum

#### Left and Right Outriggers:

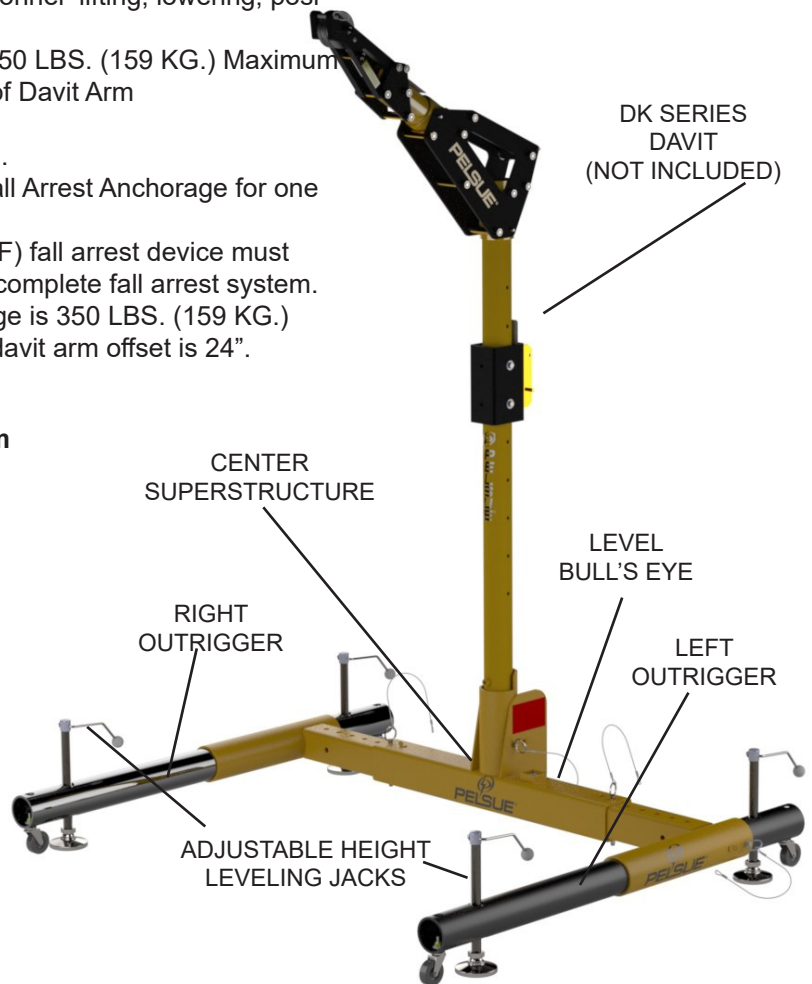
- Telescoping & Receiver Tube ..... 6061-T6 Aluminum

#### Leveling Jack Assembly:

- Threaded Rod ..... Alloy Steel, Plated

### Weight:

**Weight** ..... 100 lbs. (45.4 kg) (EB56)  
115 lbs. (52.2 kg) (EB66)



**EB Series Base w/ DK Series Davit**  
**Isometric View**

### Other Features:

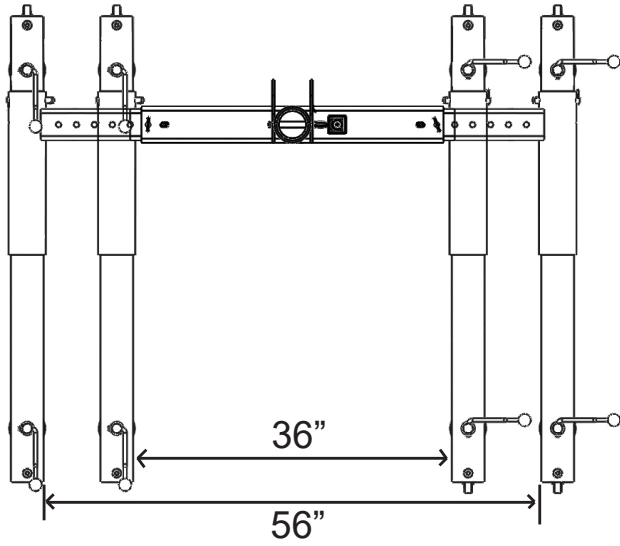
- Easily assembles over most manholes for safe and secure lifting and/or placement of personnel
- Provides a winch mount compatible with many winch and fall arrest systems
- Provides a anti-friction-lined receiver compatible with any Pelsue Davit System
- Independently adjustable leveling jacks provide any inconsistencies in surface level



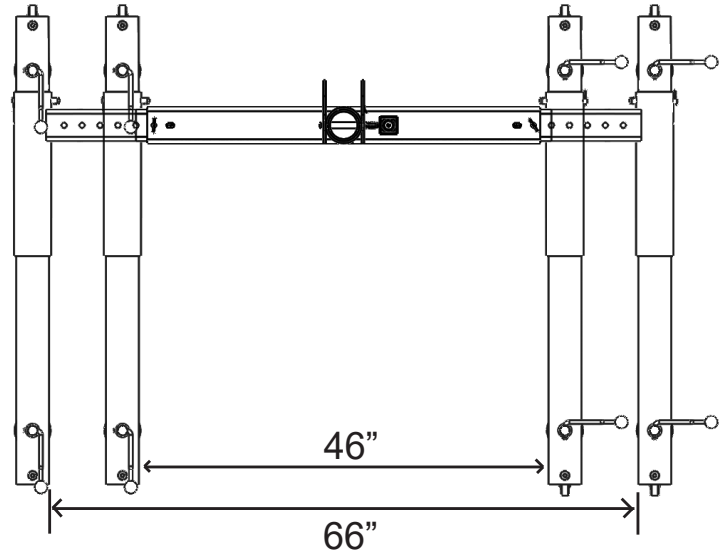
2500 S. Tejon St.  
Englewood, CO 80110  
Ph: 1-800-525-8460, (303) 936-7432  
Fax: (303)934-5581  
Web: www.pelsue.com E-mail: sales@pelsue.com



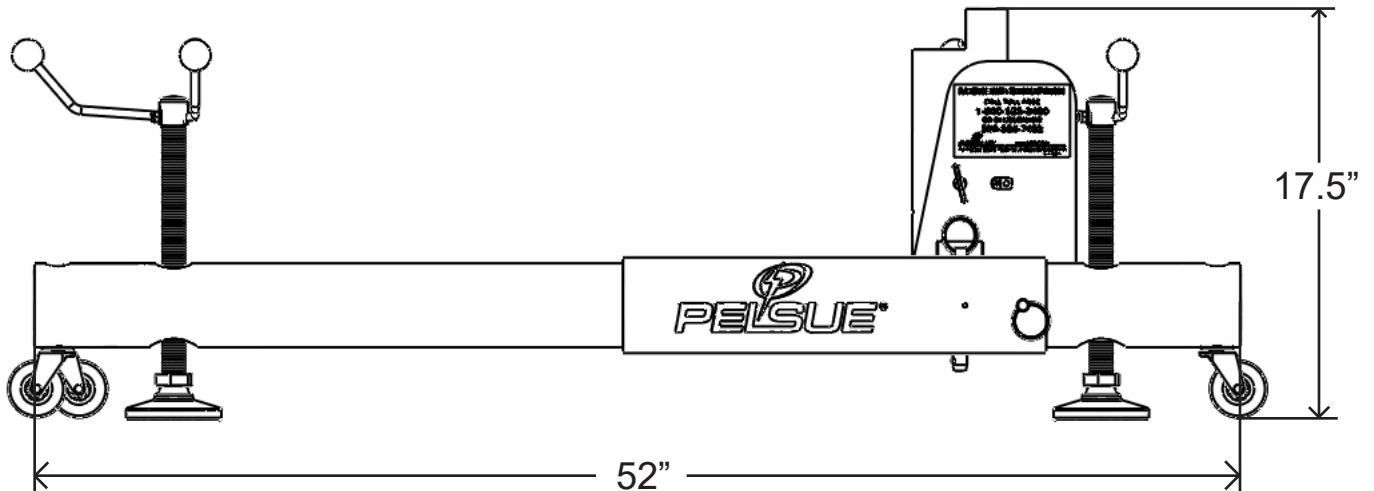
# Product Specifications



Model #EB56 - MIN & MAX WIDTH  
TOP VIEW



Model #EB66 - MIN & MAX WIDTH  
TOP VIEW



Englewood, CO 80110

Ph: 1-800-525-8460, (303) 936-7432

Fax: (303)934-5581

Web: [www.pelsue.com](http://www.pelsue.com) E-mail: [sales@pelsue.com](mailto:sales@pelsue.com)