



Product Specifications

Model: DSP-F1 (Plated Steel) & DSS-F1 (Stainless Steel) Offset Floor Sleeve

- The Pelsue Models #DSP-F1 & #DSS-F1 Floor Sleeves are designed to be installed on an existing horizontal surface. The mounting surface must be substantial enough in order to withstand the proofing loads reported within this document. The DSP-F1 & DSS-F1 Floor Sleeve can be bolted or welded to a steel surface or fastened to a concrete surface with appropriate concrete fasteners. When installed, each of the sleeves provides a fixed receiver for any PELSUE DK Series offset arm davit system. The DSS or Stainless Steel version of the sleeve provides additional durability in a corrosive environment.

General Specifications:

Product is Designed & tested to be used in 2 General Applications:

1. As a mounting point for an offset davit system to be utilized as a personnel or equipment lowering, lifting, and positioning device.

Rated Load Capacity for Personnel.....350 LBS. (159 KG.) Maximum at up to a 48" offset

2. As a mounting point for an offset davit system to be utilized as an anchorage for a personal fall arrest system.

Compliance.....Designed and tested as an Anchorage for the attachment of Personal Fall Arrest Equipment as per OSHA Regulations (Standards 29 CFR) Part 1926

****Warning!** A 900 LB. maximum arrest force fall arrest device must be used when this product is employed as part of a complete fall arrest system.

Materials & Construction:

General Construction.....Welded Carbon Steel (DSP-F1) or Welded Stainless Steel (DSS-F1)

Anti-Friction Components:

- Grey PVC Slip Plate & ABS Plastic Friction Sleeve.

Weight:

Weight.....25 LBS.

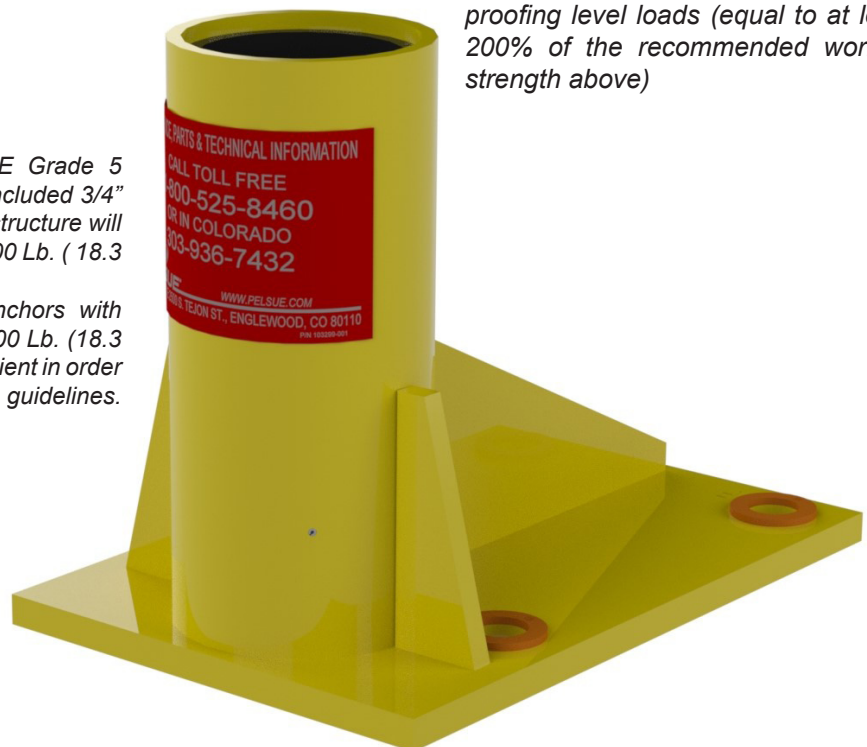
Mounting Requirements:

Metal Structure: Secure with 3/4"UNC SAE Grade 5 (ASTM A325) or better threaded fasteners and included 3/4" Hardened flat washers. Ensure that supporting structure will withstand tensile working loads in each bolt of 4100 Lb. (18.3 kN).

Concrete: Install Using concrete wedge-type anchors with a reported tensile working strength of at least 4100 Lb. (18.3 kN). Concrete Strength & thickness must be sufficient in order to meet or exceed the fastener manufacturer's guidelines.

****Contact Pelsue for additional assistance.**

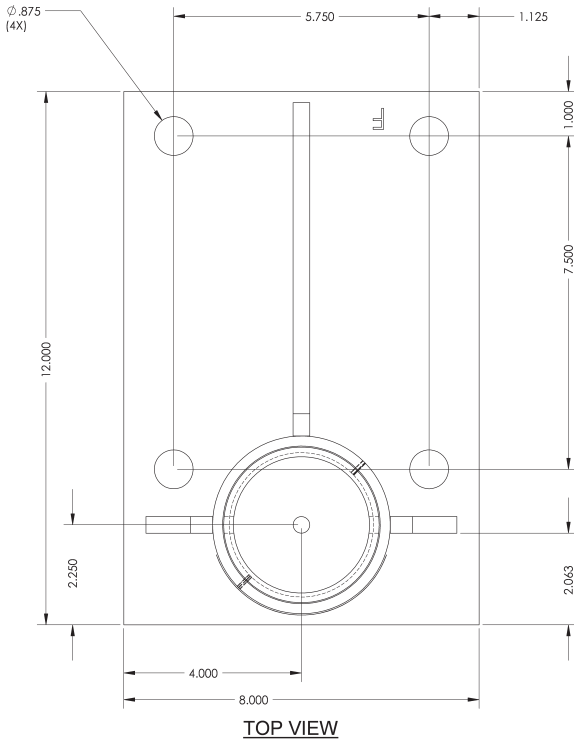
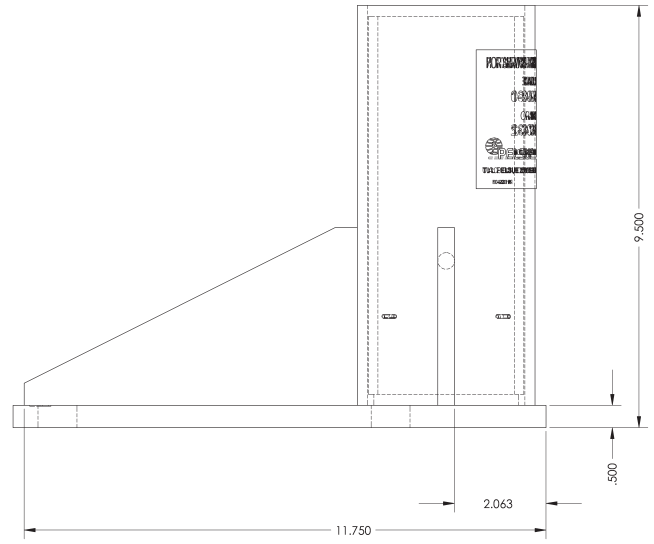
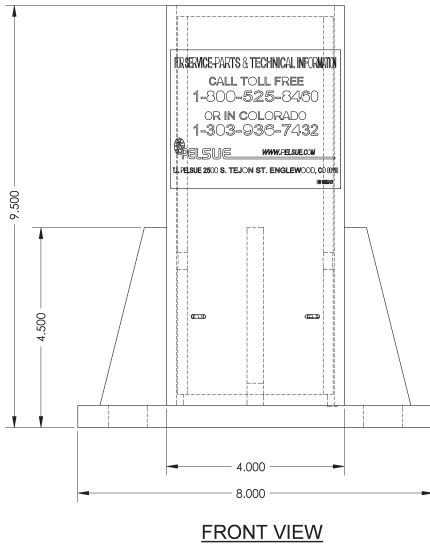
****NOTE - The Mounting Requirements shown on this document are guidelines for safe-installation. Consult the Proof Load Table in this document & have concrete & installation of system approved by installing engineer. Any Fastener or Supporting Structure must be sufficient in order to carry products proofing level loads (equal to at least 200% of the recommended working strength above)**



2500 S. Tejon St.
Englewood, CO 80110
Ph: 1-800-525-8460, (303) 936-7432
Fax: (303)934-5581
Web: www.pelsue.com E-mail: sales@pelsue.com



Product Specifications



DS Series Permanent Sleeve Systems - Proof Load Tabulation

Product	Accompanying System	Product Offsets	Proof Load* Attained at Maximum Offset	Torsional Proof Load About Sleeve Center	Fall Arrest Anchorage Compliance** at Maximum Offset	Personnel Hoist & Retrieval Ratings*** at Maximum Offset
DS Series Permanent Sleeve Systems	DK1824	18" & 24"	5000 LB.	10000 FL-Lb.	ANSI Z359 (1 person) ANSI A10.14 (1 person) OSHA 1926.502 (1 person)	1 Person (350 LBS. / 159 KG Maximum Weight) with better than a 14:1 Factor of Safety
	DK3036	30" & 36"	3600 LB.	10800 FL-Lb.	ANSI A10.14 (1 person) OSHA 1926.502 (1 person)	1 Person (350 LBS. / 159 KG Maximum Weight) with better than a 10:1 Factor of Safety
	DK4248	42" & 48"	1800 LB.	7200 FL-Lb.	ANSI A10.14 (1 person) OSHA 1926.502 (1 person)	1 Person (350 LBS. / 159 KG Maximum Weight) with better than a 5:1 Factor of Safety

* Proof Load is defined as the load attained on the structure and sustained by the structure for a period of 2 minutes with no visible signs of structural failure.

** Compliance is dependent upon usage of product within manufacturer's guidelines and in conjunction with only approved PELSUE brand equipment and sub components

*** Ratings are arrived at by PELSUE engineering taking into account test data for each structure, applicable and relevant governing standards, and overall good sense. Ultimately, published ratings should be used as a reference allowing the end user to arrive at a comfortable Factor of Safety based upon usage conditions and experience.



2500 S. Tejon St.
Englewood, CO 80110
Ph: 1-800-525-8460, (303) 936-7432
Fax: (303)934-5581
Web: www.pelsue.com E-mail: sales@pelsue.com