



# Airvisor MV Re-Finisher Spray Kit

## Product description

Honeywell Supplied Air Respirators are the proven safety solution when you need clean, compressed air from a source outside the contaminated area. Air passes through an airline to the face piece or hood, with the continuous flow creating increased pressure inside. This pressure cools the users face and reduces fogging, a common problem in many working situations.

SAR with additional spray gun hose assembly and acetate visor to provide protection against chemical splashes.



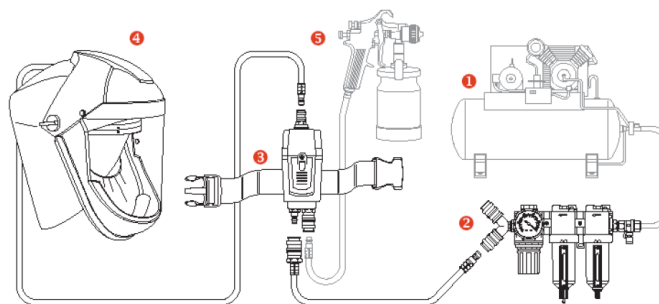
## FEATURES

- Disposable face skirt cassette.
- Foam or flame retardant skirt material available.
- Waistbelt with tamper-proof airflow regulator.
- Additional spray gun hose assembly.
- Clear acetate visor.

## APPLICATIONS

- Environments containing particulates, gases & vapours up to 100 times the relevant exposure limit.

## Technical Details



Air is compressed outside of the hazard area (1) and is channelled to a coalescing Filter (2) to be cleaned. From the filter (2), the air passes to the respirator waistbelt (3), where it is regulated to a constant flow. Air then reaches the visor (4) to provide the operator with breathable quality air. It also supplies air to the air tool (5).

**Note: The compressor & air tool are not provided.**

## Standards

Certified to AS/NZS 1716:2012 Licence No:1481

## Ordering Details

| PART NO. | DESCRIPTION                        | MIN QTY | BOX QTY | CASE QTY | BOX DIMENSIONS  | WEIGHT | BARCODE       |
|----------|------------------------------------|---------|---------|----------|-----------------|--------|---------------|
| 1007972  | DMAK-0201 Airvisor Refinishers Kit | 1       | 1       | 1        | 380 x 220 x 290 | 1.6kg  | 0883940105963 |

WARNING! THIS DOCUMENT PROVIDES AN OVERVIEW OF PERSONAL PROTECTIVE PRODUCTS AVAILABLE FROM HONEYWELL SAFETY PRODUCTS AND CARE HAS BEEN TAKEN TO ASSURE THE ACCURACY OF THE DATA. IT DOES NOT PROVIDE IMPORTANT PRODUCT WARNINGS AND INSTRUCTIONS. HONEYWELL SAFETY PRODUCTS RECOMMENDS ALL USERS OF ANY PERSONAL PROTECTIVE EQUIPMENT UNDERGO THOROUGH TRAINING, AND THAT ALL WARNINGS AND INSTRUCTIONS PROVIDED WITH THE PRODUCTS BE THOROUGHLY READ AND UNDERSTOOD PRIOR TO EACH USE. FAILURE TO READ AND FOLLOW ALL PRODUCT WARNINGS AND INSTRUCTIONS COULD RESULT IN SERIOUS INJURY.

## Honeywell Safety Products Australia Pty Ltd

Australia 1300 139 166  
 New Zealand 0800 322 200  
[www.honeywellsafety.com](http://www.honeywellsafety.com)