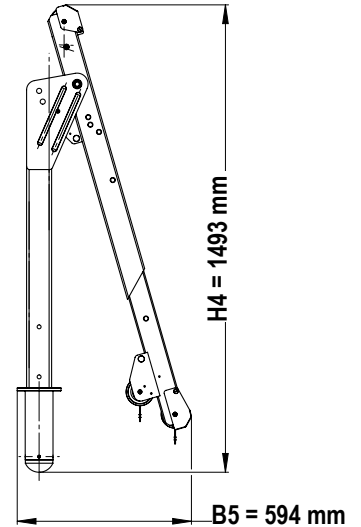
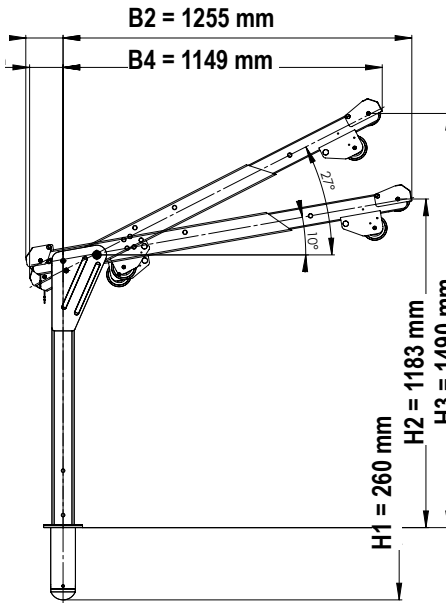


Cantilever Arm ASS-2

Certified as an anchorage device for PSAgA according to EN 795:2012 Typ B und CEN/TS 16415:2017



B1 = 134 mm
B3 = 120 mm



Drawings in mm
(Not true to scale)

Product information:

Order No.:	Width (B1) / (B2)	Width (B3) / (B4)	Width (B5)	Height (H1 / H2)	Height (H3 / H4)	Weight
41-72	134 mm/1255 mm	120mm/1149mm	594mm	260mm/1183mm	1490/1493mm	39 kg
41 - PLW-DA	<i>OPTIONAL</i> : PLW Person and load winch					
41-IKLW 300	<i>OPTIONAL</i> : Manual Load Winch IKLW 300 for loads up to 300 kg with a maximum rope length of 20 m					
	<i>OPTIONAL</i> : Floor, retractable floor or wall sleeve or a flange mounting					
41-Z3/12V	<i>OPTIONAL</i> : Electrical load winch 12 Volt for loads up to 450 kg incl. Wire-bound remote control					
41-Z3/24V	<i>OPTIONAL</i> : Electrical load winch 24 Volt for loads up to 450 kg incl. Wire-bound remote control					
41- 213/12V	<i>OPTIONAL</i> : 12V working light for attachment to the boom head					
41-213/12V	<i>OPTIONAL</i> : 24V working light for attachment to the boom head					

Features:

- V4A stainless steel design
- Removable extension arm
- Suitable for fast relocation
- Stable thanks to solid construction, high quality
- Can be used with HRA rescue devices (Typ HRA)
- *OPTIONAL*: PLW Person and load winch
- *OPTIONAL*: Manual Load Winch IKLW 300 for loads up to 300 kg with a maximum rope length of 20 m
- *OPTIONAL*: Floor, retractable floor or wall sleeve or a flange mounting
- *OPTIONAL*: Electrical load winch 12 or 24 Volt for loads up to 450 kg incl. Wire-bound remote control
- *OPTIONAL*: 12 or 24 Volt working light for attachment to the boom head

The assembly instructions for the boom arms must be observed.