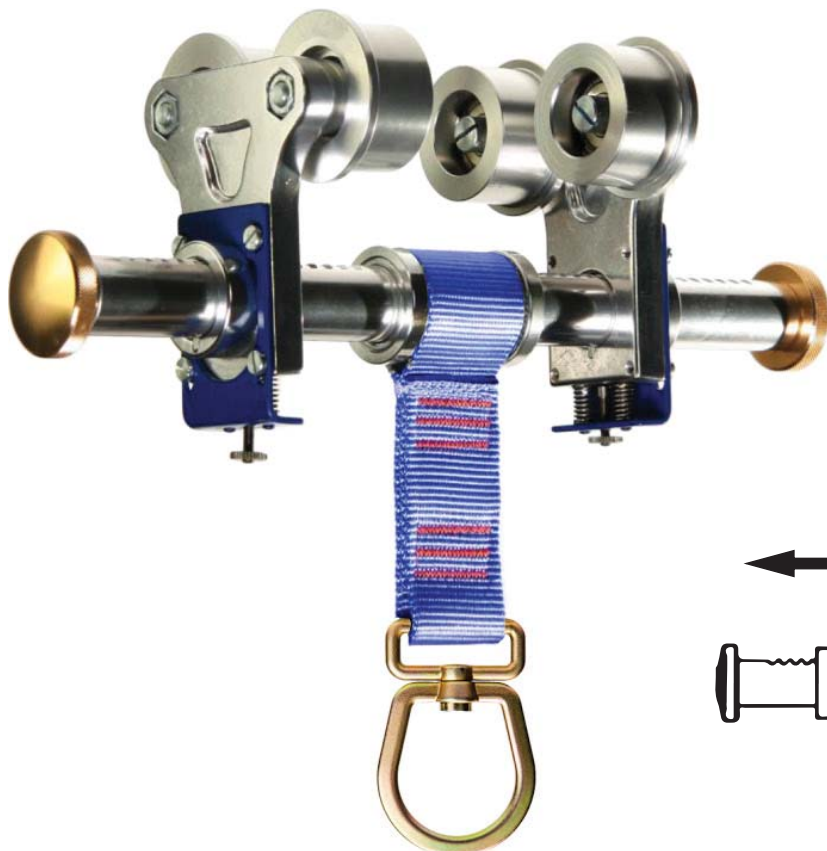


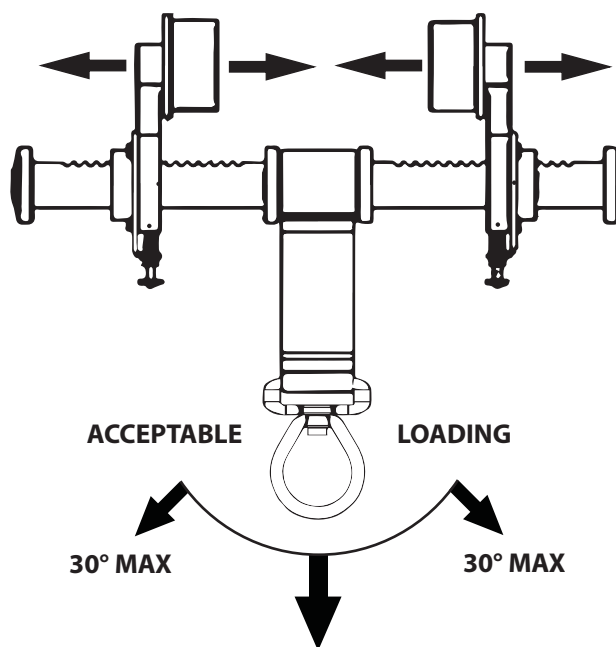
DESCRIPTION

**ClimbTech 5,000-lbf / 22kN Beam Trolley Anchor.**

A removable and reusable rolling I-beam anchor, easy to place and remove. This anchor is designed to easily roll along the beam while trailing the worker.



(Adjustable Directions)  
 Max 10" or 255mm  
 Min 3" or 76mm  
 Flange Thickness: 1/4" to 7/8"



SPECIFICATIONS

- ▼ **UTS**  
5,000-lbf / 22kN
- ▼ **Max User Weight**  
310-lbs / 140kg
- ▼ **Working Load**  
1000-lbs / 454kg

MATERIALS

- ▼ **Rollers**  
Aluminum
  - ▼ **Cross Bar**  
Aluminum
  - ▼ **Swivel**  
Zinc Plated Steel
  - ▼ **Webbing**  
Polyester
- ▼ **Hardware**  
Stainless Steel

PRODUCT CONFIGURATIONS

MODEL	APPLICATION	COLOR	LOADING	WEIGHT
BTA012N	I & H Beams	Blue	5,000-lbf (22kN)	3493g