

Part #500242-001

Product Manual:

DK Series
Davit Kits

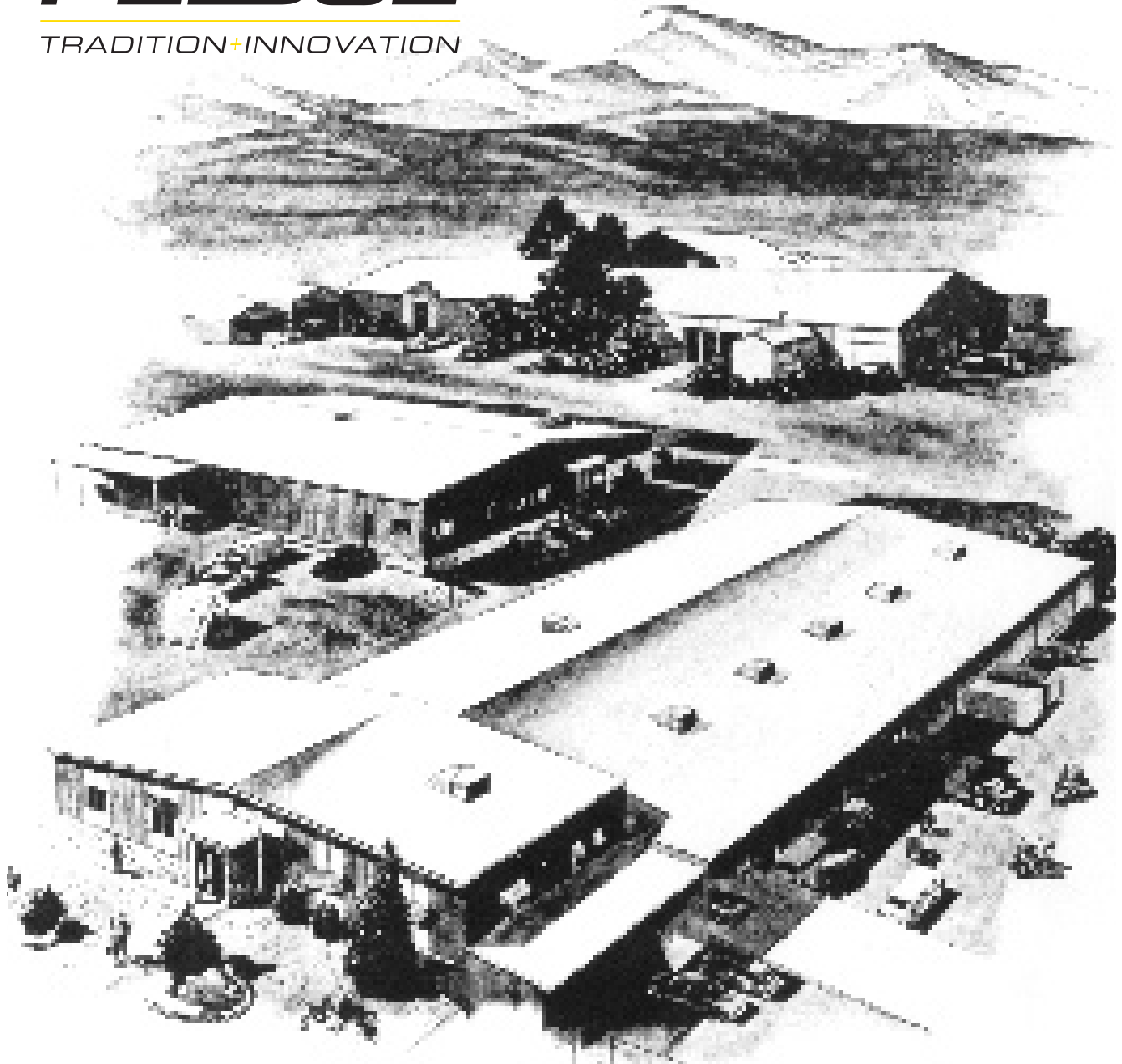



PELSUE[®]
ISO 9001 Certified

T.A. Pelsue Company
2500 South Tejon Street
Englewood, Colorado, USA 80110
Tel. 800-525-8460 or 303-936-7432
Fax. 303-934-5581
Internet: www.pelsue.com
Email: sales@pelsue.com



ISO 9001 Certified



Since our inception in 1963 – the T.A. Pelsue Company has designed and manufactured high quality equipment to improve the personnel efficiency and working conditions in various underground, confined, and outdoor areas.

Founded by T. Allen Pelsue, the company has established a continuing reputation for excellence in the production of fine products for a broad spectrum of industry throughout the world.

Now, in our second generation of family direction, continued commitment to innovation and quality makes Pelsue a leading source of equipment for many types of confined spaces. We specialize in safety, retrieval, fall arrest, ventilation, cable placing, splicing, and maintenance nationally and abroad. With more than 70,000 square feet of facilities available, Pelsue continues the dedication that has made us pre-eminent in this field.

Table of Contents

Section	Description	Page #
1.0	General Information	5
1.1	Quality Policy	
1.2	Pelsue Product Warranty	
2.0	Introduction & Product Information	7
2.1	Serial Number	
3.0	Configuration & Assembly	8
3.1	Label Locations	
4.0	Safety	10
4.1	Warning Statement	
4.2	Safety Alert Symbol	
4.3	General Safety Information	
4.4	Operating Safety	
4.5	Maintenance Safety	
4.6	New Operator Safety Information	
5.0	Product Operation	13
5.1	Product Description & Capabilities	
5.2	Product Installation & Set-Up	
6.0	Maintenance & Inspection	17
6.1	Maintenance	
6.2	Inspection	
6.3	Inspection Log	
7.0	Storage	21
8.0	Contact Information	21

T.A. Pelsue Company

Quality Policy

OUR GOAL IS THE PURSUIT OF NEVER-ENDING IMPROVEMENT IN PRODUCT QUALITY AND BUSINESS SYSTEMS.

METHODS TO BE EMPLOYED IN ATTAINING THIS GOAL WILL INCLUDE NEW PRODUCT QUALITY PLANNING, EMPLOYEE TRAINING, AND UTILIZATION OF EMPLOYEE INVOLVEMENT GROUPS TO SOLVE PROBLEMS.

IN AN INCREASINGLY COMPETITIVE MARKETPLACE, ENSURING CUSTOMER SATISFACTION IS ONE OF THE DIFFERENTIATORS THAT SETS YOU APART FROM THE PACK AND YIELDS A COMPETITIVE ADVANTAGE.

THEREFORE, WE WILL SUPPORT TOTAL CUSTOMER SATISFACTION BY IMPLEMENTING THE **ISO 9001 QUALITY SYSTEM** AND PROVIDING THE NECESSARY ATMOSPHERE AND TRAINING TO NURTURE THIS CONCEPT THROUGHOUT OUR ORGANIZATION.

WE WILL MAKE EVERY BUSINESS DECISION AS THOUGH THE QUALITY OF THE PART OR SERVICE PROVIDED WAS DESTINED FOR OUR OWN OR OUR FAMILY'S USE. WE WILL ALWAYS THINK **QUALITY FIRST**.

EVERY T.A. PELSUE COMPANY EMPLOYEE IS EXPECTED TO COMMIT TO THIS PHILOSOPHY IN THE PERFORMANCE OF HIS OR HER DAILY TASKS.

QUALITY FIRST!

T.A. PELSUE COMPANY SENIOR MANAGEMENT TEAM

1.2 - Pelsue Product Warranty

Pelsue products are designed and engineered to perform as stated in published specifications. Quality materials and workmanship are used in the manufacture of this product. With regular maintenance and proper care, Pelsue equipment provides many trouble free hours of operation.

The T.A. Pelsue Company warrants to the buyer that the Hoist Product furnished will conform to specifications and will be free from defects in material and workmanship from the date of shipment to the original buyer, for a period of 3 months (90 days). In the event of failure of any components of a Pelsue product within the warranty period, service must be pre-approved by the T.A. Pelsue Company, and service must be performed by the T.A. Pelsue Parts and Service Department in Englewood, Colorado, or at the option of the T.A. Pelsue Company, service may be performed at any designated service center, which may include any authorized service center for the component manufacturer. Unauthorized repairs will not be covered by this warranty.

Damage or failure due to misuse, mishandling, or unauthorized modifications will not be covered by this warranty. Unless otherwise agreed, the T.A. Pelsue Company shall repair or replace the defective components within (30) calendar days of notice of failure. T.A. Pelsue Company's obligation hereunder, shall be limited to the repair or replacement of the product or component as set forth above and shall not include any liability whatsoever for damages caused by such failure, including, but not limited to consequential or incidental damages flowing from use or lack of use of product.

Any replacement, repair, modification, installation, or other service performed by the T.A. Pelsue Company shall be warranted by the remainder of the unexpired period of the warranty, or for a period of (90) calendar days, whichever is longer.

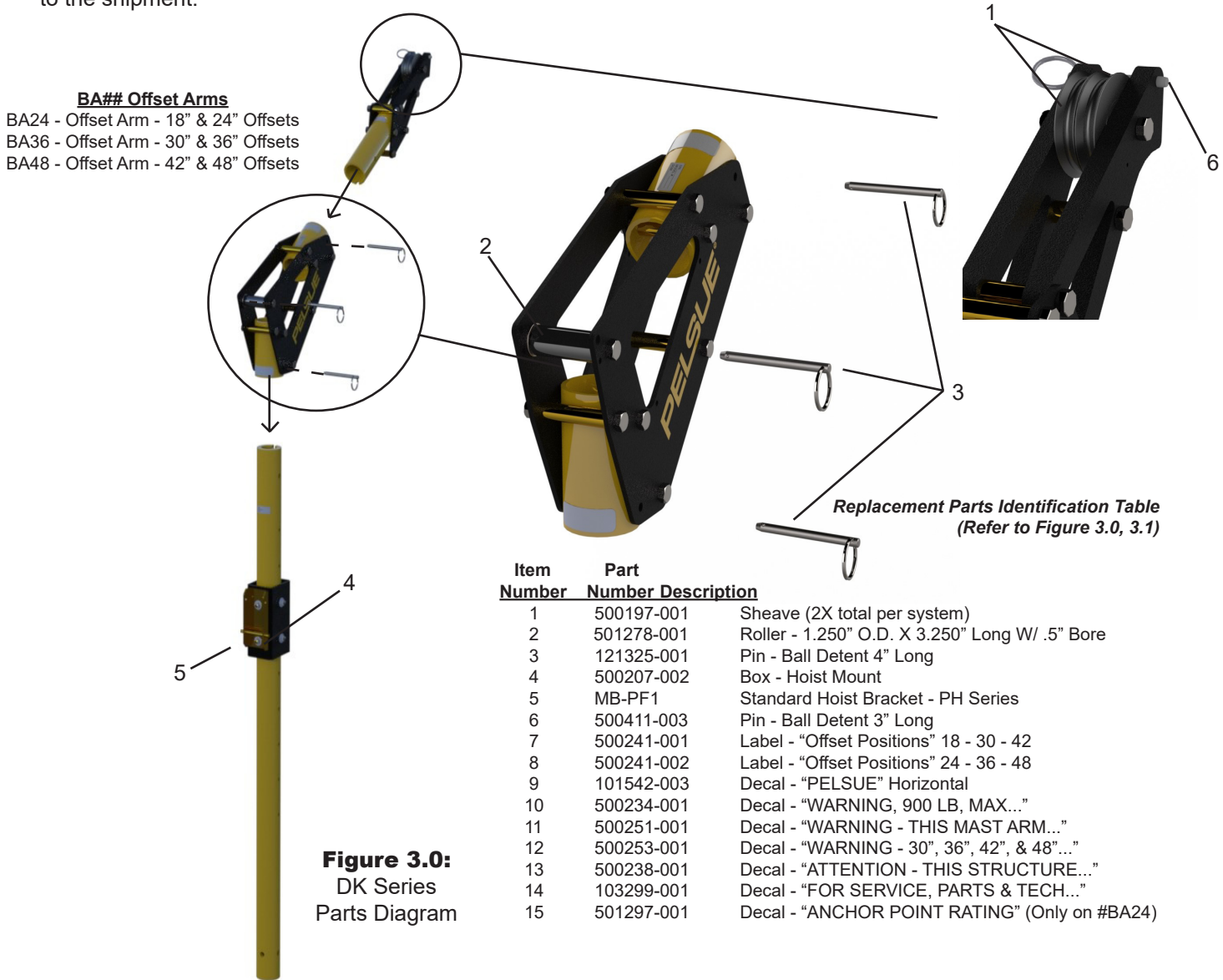
All materials or parts returned for credit or warranty shall be returned only with prior approval, and will be subject to factory inspection before credit is allowed. Parts claimed defective will be replaced upon request and will be invoiced as purchased, subject to credit when the parts claimed to be defective have been received and examined by the factory.

This warranty is expressly in lieu of all other warranties expressed or implied, including any warranties of merchantability or warranties of fitness for any particular use and all other obligations or liabilities in connection with the sale of this equipment.

T.A. Pelsue Company, 2500 South Tejon Street, Englewood, Colorado 80110, 800-525-8460

3.0 - Configuration & Assembly

Upon initial receipt of the DK Series Davit Kit, inspect the packaging for any evidence that the product may have been damaged in shipment. While unpacking the product, inspect all of the components for damage. If damage to any of the components is discovered, DO NOT USE THE PRODUCT! Alert the shipping carrier immediately of the damage to the shipment.



Verify that all parts are present before product use.

1. The DK Series Davit is shipped in three components; the offset arm, the sheave, and the centerpost which are all pre-assembled.
2. The offset arm and the centerpost are designed to be inserted into the elbow as shown. After inserting the elbow onto the centerpost and the offset arm into the elbow, insert the pins that are attached to the elbow to hold the arm and centerpost in place.
3. The Hoist Mounting Box is fastened in a default location from the factory, but can be placed along the centerpost vertically wherever desired.
4. A "PH" Series hoist mounting bracket comes standard on the device mounting box, but a variety of mounting brackets for other device and manufacturers are available from the T.A. Pelsue Company.
5. Refer to Section 5.2 of this manual for specific assembly instructions.

**Refer to parts list above for common replacement parts. If replacement parts are required, they can be ordered from the T.A. Pelsue Company at 800-525-8460.

3.1 Label Locations

OFFSET POSITIONS
18in - 30in - 42in

7. 500241-001

OFFSET POSITIONS
24in - 36in - 48in

8. 500241-002

WARNING
900 LB. MAXIMUM ARREST FORCE
FALL ARREST DEVICE MUST BE
USED WHEN SYSTEM IS EMPLOYED
AS PART OF A COMPLETE
FALL ARREST SYSTEM
P/N 500234-001

10. 500234-001

WARNING
This Mast Arm has an adjustable offset of
18" or 24". When using the 24" offset with
adjustable 3 piece base, the base legs
must be extended a minimum of 26"
from center of base sleeve to inside of
each leg

11. 500251-001

WARNING
ARMS WITH 30", 36", 42" OR 48"
OFFSETS MUST ONLY BE USED IN A
"DS" SERIES FIXED FLOOR SLEEVE
*DO NOT INSTALL IN A "EB"
SERIES EXPANDABLE BASE

12. 500253-001

ATTENTION
THIS STRUCTURE IS MAN-RATED WITH A
MAXIMUM CAPACITY OF 350 LBS. (159 KG)
ONLY COMPONENTS AND RELATED PARTS
SUPPLIED BY PELSUE SHALL BE USED IN
CONJUNCTION WITH ITS OPERATION
PRIOR TO EACH USE THE STRUCTURE SHOULD
BE SAFETY INSPECTED AND OPERATED IN
ACCORDANCE WITH THE WRITTEN
INSTRUCTIONS SUPPLIED BY PELSUE
PELSUE
T.A. PELSUE COMPANY
2500 SOUTH TEJON ST.
ENGLEWOOD, CO 80110
www.pelsue.com
DO NOT REMOVE OR DEFACE THIS LABEL

13. 500238-001

FOR SERVICE, PARTS & TECHNICAL INFORMATION
CALL TOLL FREE
1-800-525-8460
OR IN COLORADO
303-936-7432
PELSUE
T.A. PELSUE 2500 S. TEJON ST., ENGLEWOOD, CO 80110
P/N 103299-001

14. 103299-001

**ANCHOR POINT RATING IS
BASED UPON VERTICAL
PROOF LOAD OF 5000 LB.**

15. 501297-001 (BA24 ONLY)

Figure 3.1: DK Series Label Locations

4.0 - Safety

The following section will address the safety precautions which must be adhered to when working with Pelsue confined Space Safety equipment such as the DK Series Davit Kit. Any user must familiarize themselves with the information in this section before utilizing the equipment.

SIGNAL WORDS:

Note the use of the signal words **DANGER**, **WARNING** and **CAUTION** with the safety messages. The appropriate signal word for each message has been selected using the following guidelines:

- DANGER-** Indicates an imminently hazardous situation that, if not avoided, will result in death or serious injury. This signal word is to be limited to the most extreme situations or for hidden or unseen hazards.
- WARNING-** Indicates a potentially hazardous situation that, if not avoided, could result in death or serious injury and includes obvious and hidden hazards. It may also be used to alert against unsafe practices.
- CAUTION-** Indicates a potentially hazardous situation that, if not avoided, may result in minor or moderate injury. It may also be used to alert against unsafe practices.

You are responsible for the safe operation, maintenance and inspection of your Pelsue DK Series Davit Kit. You must ensure that anyone who will operate, maintain, inspect or work around the equipment be familiar with the operating and maintenance procedures and related safety information contained in this manual. This manual will take you step-by-step through the workings and capabilities of the DK Series Davit Kit and alert you to all good safety and operating practices while using the system.

Remember, you are the key to safety. Good safety practices not only protect you but also the people around you. Make these practices a working part of your safety program. Be certain that everyone operating this equipment is familiar with the procedures recommended and follows safety precautions. Remember, most accidents can be prevented. Do not risk injury or death by ignoring good safety practices.

- System owners must give operating instructions to operators or employees before allowing them to use the equipment and at least annually thereafter.
- The most important safety device on this equipment is a safe operator. It is the operator's responsibility to read and understand all safety and operating instructions in the manual and to follow these. Most accidents can be avoided.
- A person must understand the operation of this equipment and be trained in its usage before operating the equipment. An untrained operator exposes himself and others to possible serious injury or death.
- Do not modify the equipment in any way. Unauthorized modification may impair the function and/or safety and could affect the life of the equipment.
- Think SAFETY! Work SAFELY!

4.1 - Warning Statement

WARNING!

Products manufactured or sold by the T.A. Pelsue Company are intended for use by professionals trained and experienced in the use, inspection and maintenance of these products.

Paraprofessional users such as volunteer rescue workers and sportsmen involved in risk sports such as climbing and caving will be held to the same standard of experience and training as professionals.

Technical rescue, repelling, climbing and the training involved are hazardous activities. Each situation has its own unique conditions and must be evaluated. Effective risk management comes from experience, proper training and good personal judgement.



SAFETY ALERT SYMBOL

This Safety Alert symbol means **ATTENTION! BECOME ALERT! YOUR SAFETY IS INVOLVED!**

The Safety Alert symbol identifies important safety messages on your Pelsue Retrieval Product and in the manual. When you see this symbol, be alert to the possibility of personal injury or death. Follow the instruction in the safety message.



Why is this symbol important to you?

- 3 BIG Reasons:**
- Accidents Disable and Kill.**
 - Accidents Cost You Money.**
 - Accidents Can Be Avoided.**

4.3 - General Safety Information

1. Read, understand, and follow the Product Manual and all safety signs before using, maintaining or inspecting the equipment.
2. Refer to and follow applicable standards and regulations. Comply with requirements of local regulations for your applications.
3. Establish an equipment-use training program for inexperienced employees. Only trained, competent persons shall use the equipment. An untrained operator is not qualified to operate the system.
4. Have a first-aid kit available for use should the need arise and know how to use it.
5. Provide a fire extinguisher for use in case of an accident. Store in a highly visible place.
6. Install and properly secure all guards and shields before operating.
7. Wear appropriate protective gear. This list includes but is not limited to:
 - A hard hat
 - Protective shoes with slip resistant soles
 - Heavy gloves
 - Protective clothing
 - Face Protection
8. Review and follow the Pre-Operation Checklist before using a component in the system or system itself.
9. Establish a regular maintenance and inspection program with your equipment and maintain detailed records.
10. Review safety related items and operating instructions with all personnel on a regular basis.

4.4 - Operating Safety

- 1.** Read, understand and follow the User Manual and signs on the product before using, maintaining or inspecting the equipment.
- 2.** Train all operators before allowing them to use the product. An untrained operator exposes themselves, bystanders and workers to possible serious injury or death.
- 3.** Visually inspect the product and all auxiliary components and equipment before using. Correct any problems before using the equipment.
- 4.** Securely anchor the product before using.
- 5.** Use only certified anchor and connector components in your system.
- 6.** Use only an approved full body harness for the workers.

4.4 - Operating Safety (continued)

- 7.** Always work in teams. One person is to work in the confined space (entrant) and the other is to attend to the entrant (attendant). Pelsue recommends an additional attendant/rescuer for stand-by in case of an emergency.
- 8.** Do not exceed the capacity of the system at any time (see section 5.1).
- 9.** Establish a regular training program for new and experienced workers.
- 10.** Establish a detailed inspection program for your equipment and document the findings. Return the equipment to the manufacturer for repair if any problems are found.
- 11.** Plan your work program before starting. Have the required people, equipment and procedures available to do the job.
- 12.** Do not use the equipment around physical or environmental hazards. This list includes but is not limited to:
 - Corrosion that may affect the structural integrity of the lifeline or other components.
 - Chemicals which can degrade components in a manner which can not be visually identified.
 - Toxic gases: Rescuers or workers can be killed in toxic environments.
 - Heat or elevated temperatures.
 - Moving machinery: Workers or auxiliary equipment can be contacted by or pulled into moving components.
 - Sharp edges: Workers or the rescue equipment can be injured by or damaged by sharp edges or components.
 - Electrical hazards: Stay away from power lines or components carrying electrical power.
 - Overload: Do not overload the system at any time during operation (see section 5.1).
 - Follow confined space regulations and standards.

4.5 - Maintenance Safety

- 1.** Read, understand and follow the User Manual and signs on the product before using, maintaining or inspecting the equipment.
- 2.** ANSI and OSHA require a regular inspection program for all confined space entry/retrieval equipment and to maintain documented results of these inspections. Follow the inspection procedure contained in this manual and use the inspection form to document the results (see section 6.0).
- 3.** Keep instructional and safety signs clean and legible at all times. Clean or replace as required.
- 4.** Remove the equipment from service if a problem is found during the inspection. Return to an authorized repair depot or the factory for service.

4.6 - New Operator or Owner

The Pelsue DK Series Davit Kit is designed to assist a person/entrant in entering a confined space and assist in exiting if required. Every new operator must read, understand and follow the instructions in the manual. No one should be allowed to use the equipment without training. The training should be reviewed with experienced operators on a regular basis. At regular intervals, perform a detailed inspection of the equipment and document the results. Remove from service if deficiencies are found. Alterations or misuse of this equipment or failure to follow instructions may result in serious injury or death.

It is the responsibility of the owner's organization or operator to read this manual and to train all other operators before they start working with the equipment. Follow all safety instructions exactly. Safety is everyone's business. By following recommended procedures, a safe working environment is provided for the operator, bystanders and the area around the work site. Untrained operators are not qualified to operate the equipment.

Many features incorporated into this equipment are the result of suggestions made by customers like you. Read this manual carefully to learn how to operate the equipment safely and how to set it to perform as intended. By following the operating instructions in conjunction with a good maintenance program, your product will provide many years of trouble free service.

5.1 - Product Description & Capabilities (continued)

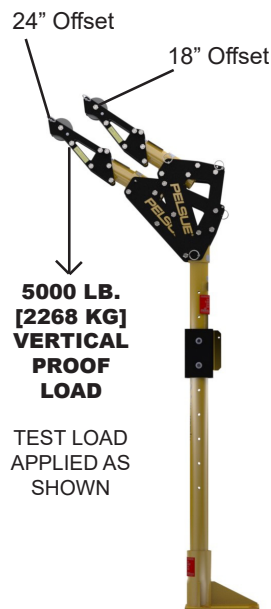


Figure #5.1b: DK1824
W/ 18" Offset & 24" Offset



Figure #5.1c: DK3036
with/ 30" Offset & 36" Offset

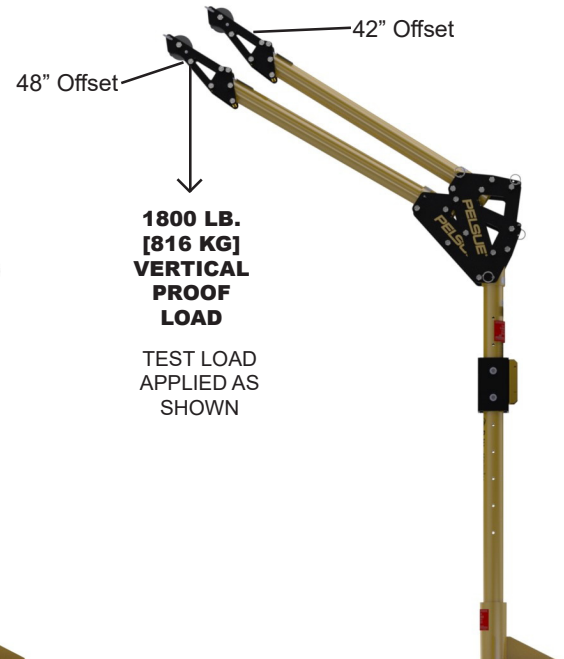


Figure #5.1d: DK4248
with/ 42" Offset & 48" Offset

Additional Requirements & Notes

- The DK Series Davit is only to be utilized within the guidelines and ratings presented in this manual and only by personnel who are trained in the operation of this equipment as well as the practices of general confined space safety.

5.2 - Product Installation & Set-up

Prior to Operation, the DK Series Davit should be configured and prepared according to the following guidelines.

1. Pre-Operation Inspection:

It is necessary to perform a visual inspection prior to each time using the product. If deficiencies are found, remove the product from service and contact the T.A. Pelsue Co. regarding repair. The following checklist coupled with *Figure #5.2a* should be used as a guide to determine whether the equipment is in good operating condition prior to usage. Equipment that is not in good condition can endanger the safety of the entrant and attendant during use.

The Pre-Operation Visual Inspection is not limited to, but must include the following items;

- Check that the product has no structural defects, such as dents, bends, cracks, or fractures.
- Ensure that all product rating & warning labels are clear and legible.
- Check that Offset Arm and Centerpost slide smoothly in and out of the Elbow.
- Check that the Roller and Pulleys are securely fastened and in working condition.
- Check that all hardware (Pins, Hardware) have not been damaged and is in working condition.
- Check that the Hoist Mounting Box is securely fastened and in the desired position.



Figure #5.2a: DK Series
Pre-Operation Inspection Points

5.2 - Product Installation & Set-up (continued)

2. Setup of DK Series Davit Kit:

Choose a location where installation will provide suitable proximity to the work area yet minimize obstructions during use and in the event a rescue is necessary. Once a location is chosen;

- a. First, ensure that the DS Series Sleeve or Other Approved Base that will be used in conjunction with the DK Series Davit is securely fastened and/or installed. Ensure that the supporting structure can handle the load imparted to it by the system.



! CAUTION - THE RATING OF SOME BASES MAY SUPERSEDE THE RATING OF THE DAVIT, ALWAYS USE THE LOWEST COMPONENT RATING FOR THE RATING OF THE COMPLETE SYSTEM !

- b. Checking the base, insert the Centerpost into the sleeve, then place the Elbow onto the centerpost. Pin the Elbow and the Centerpost in place.
- c. Next, insert the Offset Arm into the Elbow and pin the Offset Arm in place. (Refer to Fig. #5.2c).
- d. A hoist or other device can now be installed to the mounting box via the bracket on the face of the box. Always operate the mechanical device according to the instructions included with the device.
- e. Pay-out enough slack in the hoist cable so that it can be reeved up and over the roller and one of the two pulleys located at the end of the davit arm.
- f. If desired, an Self-retracting lanyard can be anchored to the overhead anchor point at the end of the davit for fall arrest applications.
- g. To change offsets of the Davit, remove the pins that hold the Offset Arm and the Centerpost to the Elbow.
- h. Then reverse the Elbow and replace the Offset Arm and Centerpost into the opposite ends of the Elbow and pin in

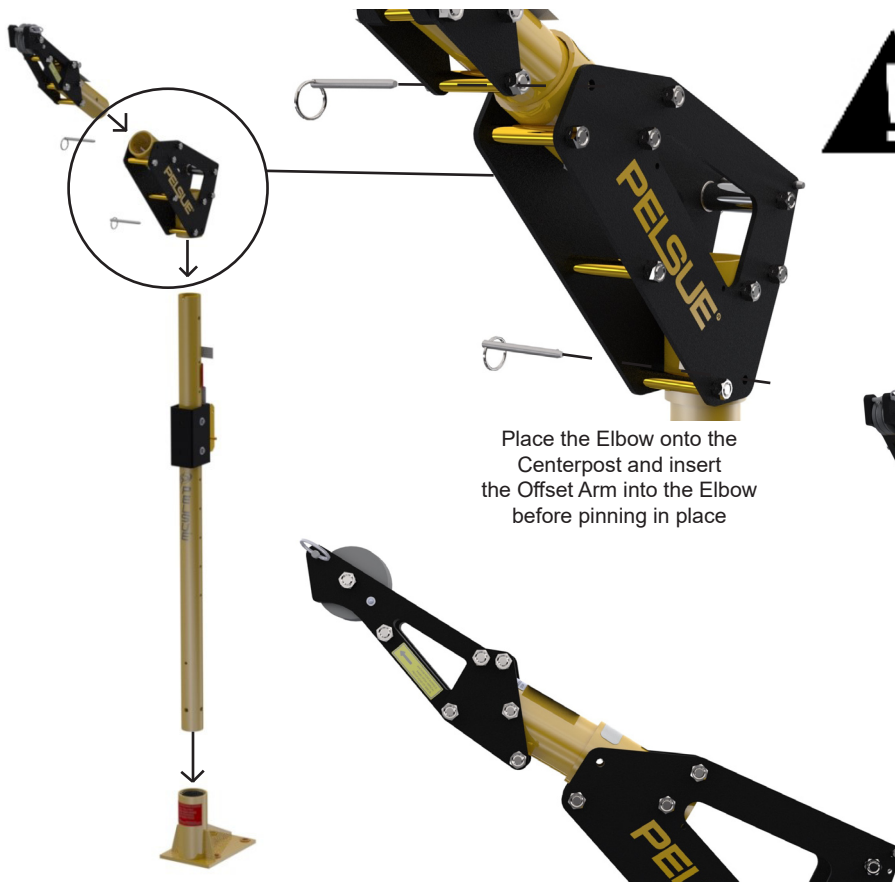


Figure #5.2b: DK Series Davit with/ DS Series Sleeve Installation

Place the Elbow onto the Centerpost and insert the Offset Arm into the Elbow before pinning in place

Figure #5.2c: Offset Arm



!WARNING! - The user must ensure that the DS Series Sleeve is securely fastened to the structure it will be used on.

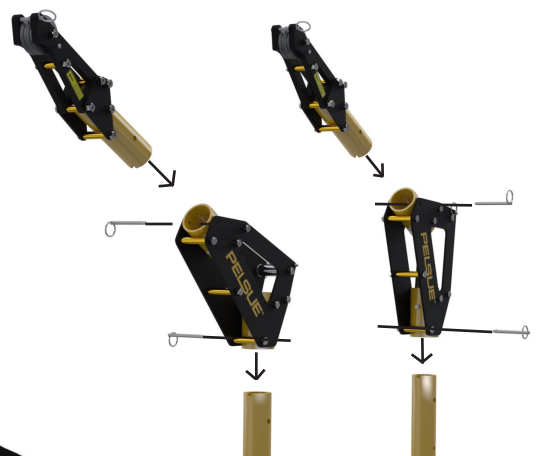


Figure #5.2d: DK Series Davit Elbow Reversible for longer offset

5.2 - Product Installation & Set-up (continued)

place. (Refer to Fig. # 5.2d)



!WARNING! - When using the DK Series Davit as part of a complete fall arrest system, all lifeline connections to the DK Series Davit installed must be made via a 900 LB. MAF Device.

3. Disassembly of DK Series Davit Kit:

- a. Disassembly of the DK Series Davit, kit is the reverse of the above assembly steps.
 - Remove any additional device from the davit and properly stow the device.
 - Remove the pins connecting the Offset Arm to the Elbow and the Elbow to the Centerpost.
 - Remove the Offset Arm from the Elbow and the Elbow from the Centerpost.

6.0 - Maintenance & Inspection



MAINTENANCE & INSPECTION

1. Read, understand and follow the Product Manual and signs on the product before using, maintaining or inspecting the equipment.
2. ANSI and OSHA require a regular inspection program for all confined space entry/retrieval equipment and to maintain documented results of these inspections. Follow the inspection procedure contained in this manual and use the inspection form to document the results.
3. Keep instructional and safety signs clean and legible at all times. Clean or replace as required.
4. Remove the equipment from service if a problem is found during the inspection. Return to an authorized repair depot or the factory for service.

6.1 - Maintenance

For the most part, the DK Series is intended to be a maintenance-free piece of equipment, however several steps can be taken to keep the system in top-notch working order and also extend the working life of the product.

Before Each Use:

1. Visual Inspection: Perform a complete visual inspection. Refer to section 6.2 for guidelines and take any maintenance steps that are necessary.

Annually:

1. Clean Product: Use a damp cloth and mild soap to clean the structure and labels of dirt and residue. Be sure the labels are legible (replacements are available from Pelsue)
2. Complete Inspection: Perform a thorough inspection, paying attention to the bullet points provided within section 6.2. Record results and keep documentation. A log has been provided in section 6.3 specifically for the recording of the dates & results of annual system inspections.

Periodic Factory Service Inspection: It is recommended that the product be serviced by a factory authorized service center or the manufacturer after a period of three years. Extreme working conditions may indicate the necessity to increase the frequency. Factory servicing shall include but not be limited to an intensive inspection and cleaning of all internal and external components. Failure to provide proper service may shorten product life and could endanger performance or function.

6.2 - Inspection

When completing an inspection of the DK Series Davit, the following specific items should be checked;

1. Labels:

Check that all the labels are clean and legible. Clean the labels if any are dirty using mild soap and a damp cloth. Replace if any are illegible. Decals & labels provide valuable warning and caution information applicable to product usage and limitations, and should be visible and present at all times.

2. Pins & Fasteners:

Check that all screws and other fasteners are present and secure. Note that not all fasteners are tightened to their maximum allowable torque. This is done in order to allow for pivoting and folding motions in certain components. Over-tightening of fasteners can interfere with the operation of the device and can damage the structure. All fasteners on the DK Series system are of a self-locking design. Bolt threads should extend all the way through their locking nuts. If any fasteners have appeared to “back-out” or loosen the product should be removed from service until the problem can be identified and corrected.

6.2 - Inspection (continued)

3. Roller, Pulleys, Anchor Bracket:

Ensure that the Roller and Pulleys are securely fastened and that they are not bent and there are no loose parts. Also, visually inspect the Anchor Bracket for any sign of deformation.

4. Structure:

The entire product structure should be checked for cracks, gouges, dents, bends or breaks. If there are major dents or any other structural damage, the unit should be removed from service and returned to the factory for repair.

- Keep in mind the powder coating can age and crack, this normal paint cracking can be confused with structural cracking. If there is any uncertainty with regards to cracks, contact the Pelsue service department for assistance and/or recommendations
- Ensure that the Offset Arm and the Centerpost can move easily within the Elbow without obstructions. Binding of the tubes may be indicative of further structural deformation.

Model Number : _____ **#DK SERIES**
Serial Number : _____
Date Purchased : _____

Place a check (✓) in the box if item is acceptable, place an x (X) in the box if item requires maintenance or repair

Date	Labels	Pins & Fasteners	Anchor Bracket	Overall Structure	Notes
Inspector (print & sign) :					
Inspector (print & sign) :					
Inspector (print & sign) :					
Inspector (print & sign) :					
Inspector (print & sign) :					
Inspector (print & sign) :					
Inspector (print & sign) :					
Inspector (print & sign) :					
Inspector (print & sign) :					
Inspector (print & sign) :					

6.3 - Inspection Log (continued)

Date	Labels	Pins & Fasteners	Anchor Bracket	Overall Structure	Notes
Inspector (print & sign) :					
Inspector (print & sign) :					
Inspector (print & sign) :					
Inspector (print & sign) :					
Inspector (print & sign) :					
Inspector (print & sign) :					
Inspector (print & sign) :					
Inspector (print & sign) :					
Inspector (print & sign) :					

7.0 - Storage

Prior to storage, the product should be thoroughly inspected and maintained. Repair or replace any worn or damaged components to prevent any unnecessary down time at the next use.

Follow this procedure:

1. Thoroughly clean the entire unit using a mild soap on the frame and labels.
2. Perform a complete inspection of the unit and document the results prior to storage.
3. The DK Series system can be dismantled for storage if desired, follow the reverse of the steps given for assembly in section 3.0 of this manual.

8.0 - Contact Information

For More Information...



T.A. Pelsue Company
2500 S. Tejon St.
Englewood, CO 80110

Toll Free: 1-800-525-8460
Telephone: 1-303-936-7432
Fax: 1-303-934-5581

Website: www.pelsue.com

Email: sales@pelsue.com

Notes



T.A. Pelsue Company

2500 South Tejon Street, Englewood, Colorado, USA 80110
Toll free 800-525-8460 or 303-936-7432 Fax. 303-934-5581
Internet: www.pelsue.com Email: sales@pelsue.com