

PLATFORM OPERATED MULTI-SPRAY SHOWER - 16 SPRAY & HAND OPERATED EYE/ FACE WASH WITH 3 SIDE PANELS

Installation, Operating and Maintenance Instructions

EM690



I00107_Mar20

NOTE: THIS DOCUMENT IS TO BE LEFT ONSITE WITH FACILITY MANAGER AFTER INSTALLATION

Call 1300 369 273
www.enware.com.au

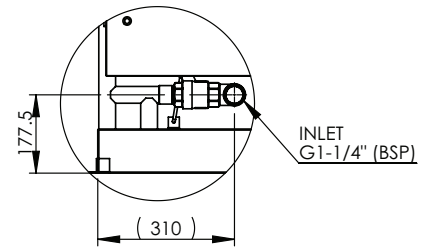
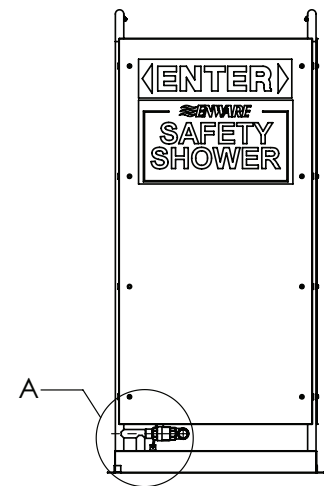
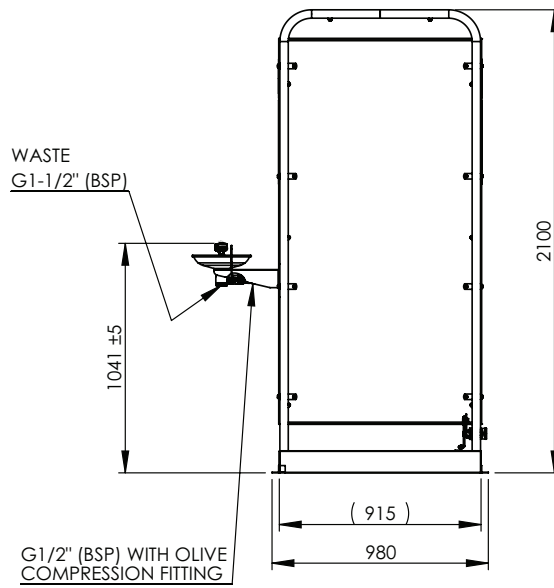
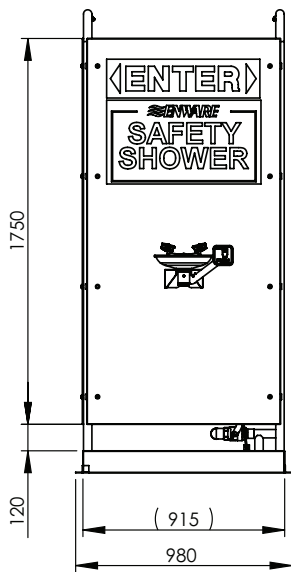
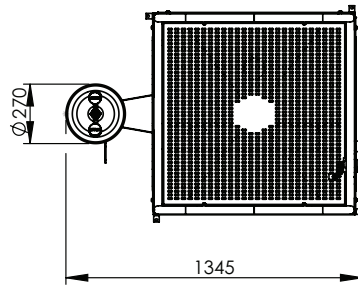
Enware Australia Pty Limited
9 Endeavour Rd Caringbah NSW 2229 Australia
Ph: 02 8536 4000 info@enware.com.au



technical information

Decontamination Shower	
Inlet Connection	32 mm (1¼" BSP) Female NPT and flange connections available for petro-chemical and offshore applications
Flow Rates	97 lpm @ 200 kPa 118 lpm @ 300 kPa 153 lpm @ 500 kPa 216 lpm @ 1000 kPa
Eye/Face Wash	
Inlet Connection	1/2" BSP male (DN 15mm) with olive compression fitting
Water Supply Line Size	Supply piping shall be adequately sized to meet flow requirements
Minimum Requirements to achieve ANSI Z358.1 and AS/NZS 4775 compliance	Min Working Pressure: 210 kPa (30 psi) Caution should be taken when pressure exceeds 550 kPa (80 psi)
	Minimum Flow 11.4 lpm (3 US gpm)
Enware Performance	At Working Pressure: 210 kPa (30 psi) Eye/Face Wash Flow 26 lpm (6.9 US gpm)
Waste Water Outlet Connection	G 1-1/2" BSP

dimensions



DETAIL A

installation compliance

FIXED DECONTAMINATION SHOWER UNIT

This is a primary decontamination device not intended to be portable, and must be permanently installed to an existing flushing fluid supply.

EYE/FACE WASH

Installation of eye/face wash equipment shall be in accordance with AS4775 or ANSI Z358.1 - whichever is applicable to the installation.

Supply Lines

Ensure all supply lines are flushed thoroughly to remove debris prior to the installation of this product. Strainers (40 mesh) are recommended if debris is an ongoing problem.

Supply Pressure

A Pressure Reduction Valve may be required to comply with recommended maximum supply pressure.

Flushing Fluid Temperature

Flushing Fluid Temperature: Tepid.
Suggested temperature range is 15.6 °C – 37.8 °C

Enware products are to be installed in accordance with the Plumbing Code of Australia (PCA), AS/NZS3500 and the instructions provided. Installations not complying with above may void the product and performance warranty provisions.

NOTE: Enware Australia advises:

1. Due to ongoing Research and Development, specifications may change without notice.
2. Component specifications may change on some export models.

components



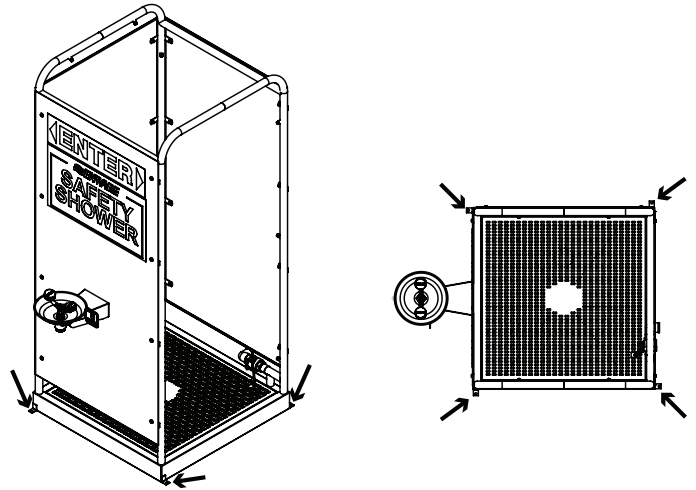
installation

MOUNTING

Mark and drill holes for the shower main frame, and secure to level floor using corrosion resistant anchors. (Anchors are not supplied.)

DECONTAMINATION SHOWER INLET CONNECTION

1. Make sure to flush the line before connecting water supply, to prevent any debris entering the shower components.
2. Connect the water supply to 1¼" BSP inlet connection.



EYE/FACE WASH INSTALLATION

1. Attach the Eye or Eye/Face wash push handle to the Activation Ball Valve using the spring washer & hexagonal nut already on the ball valve. SEE IMAGE 1

2. Place the Bowl on top of the bracket, and locate the Waste Adaptor below the bracket as shown. SEE IMAGE 2

Using the Washer and the Waste – screw in to the Waste Adaptor to secure the bowl. Turn as tight as you can with fingers, then turn Waste and Bowl together using the outside edge of the bowl for extra leverage. Hold the waste adaptor while doing this so that the ball valve remains straight. (If the bowl is already assembled, check to see if the bowl is loose, and tighten as required.)

3. Take off the plastic cover cap off the eye/face wash assembly to expose the two pre-greased O-rings. SEE IMAGE 3

4. Push the eye/face wash assembly into the centre of the waste adaptor making sure the directional arrow is facing the front. Ensure it is pushed all the way in so it bottoms out. Now tighten the grub screw from the front of the waste adaptor until it locates within the groove of the eye/face wash assembly. SEE IMAGE 3

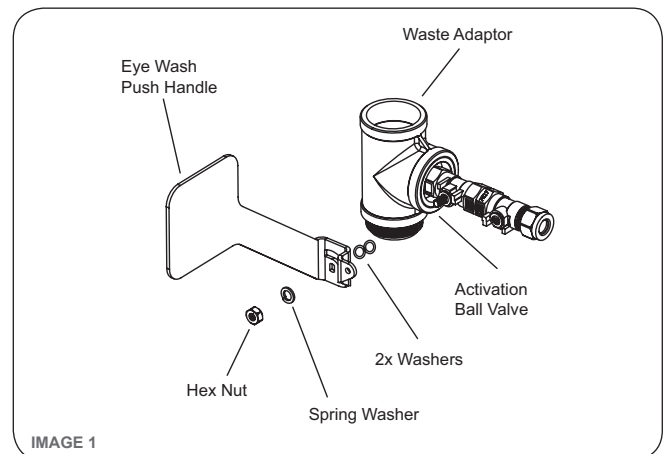


IMAGE 1

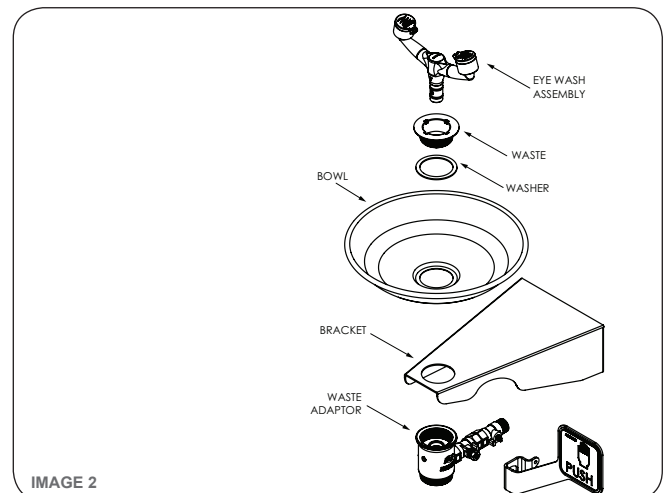
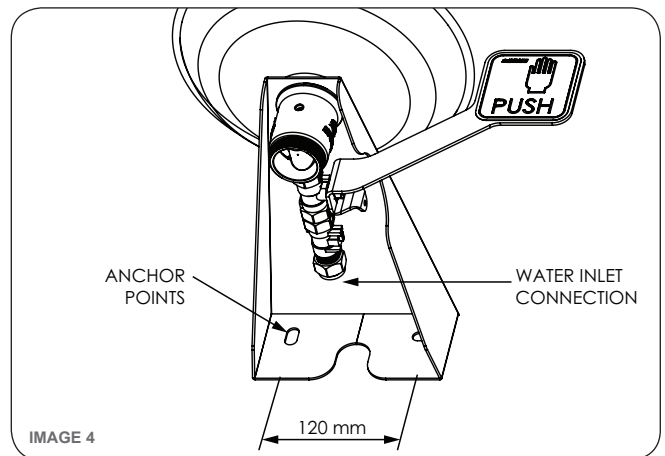
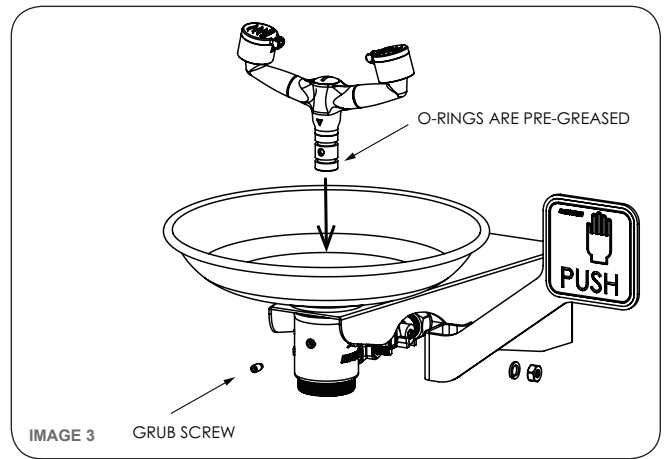


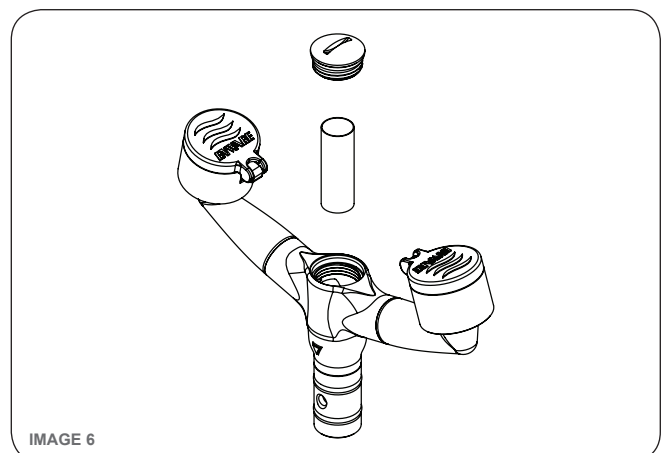
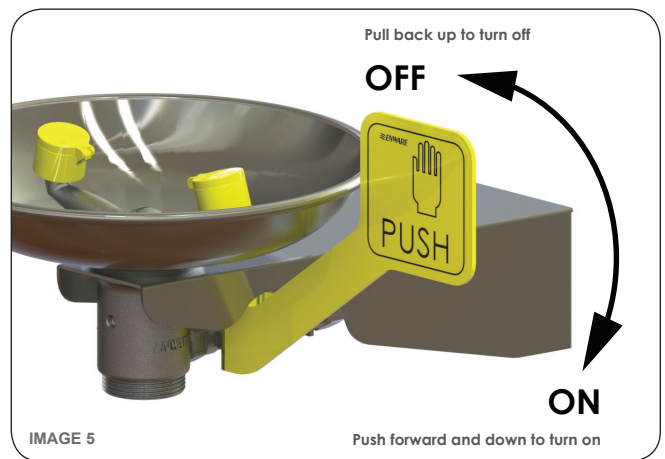
IMAGE 2

- Fix the bracket onto pre-drilled anchor holes on left side panel, using bolt and nut sets supplied. Ensure the bracket is installed level.
SEE IMAGE 4 ►
- Connect water supply to the 1/2" BSP inlet thread of control valve. Ensure that the line is flushed to eliminate any debris before connecting.
- Connect drain line to the 1-1/2" BSP thread of the bowl sink outlet.

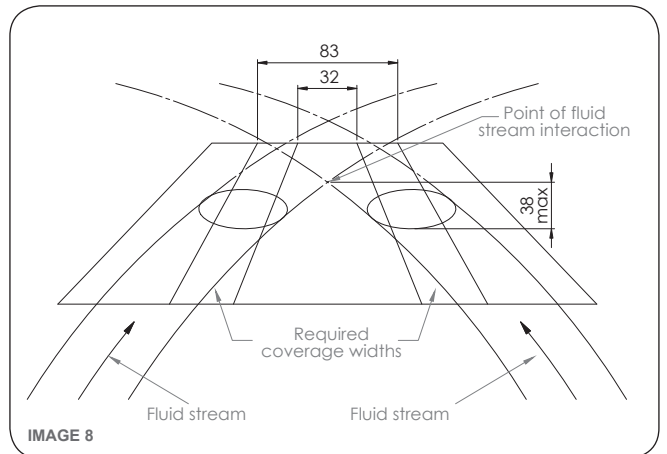
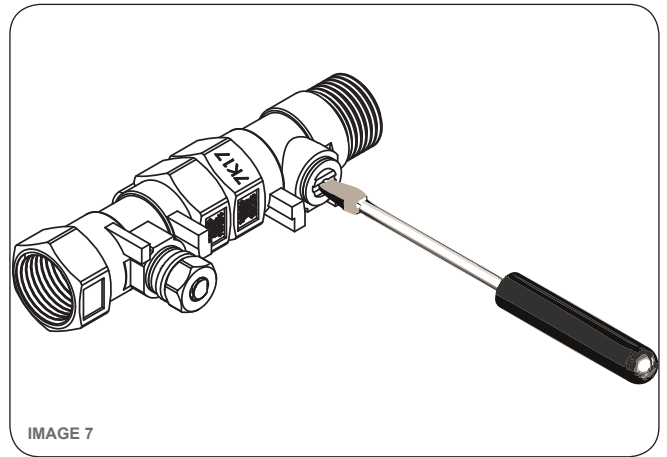


testing & commissioning

- Before turning on the water supply to the unit, make sure both the decontamination shower and Eye/ Face wash valves are closed. Check that the platform floor is not pushed down, and pull the Eye/ Face wash handle back to upright position, to ensure the valves are in the closed position.
- Turn water supply on. Check for leaks before proceeding.
- Step onto the decontamination shower platform floor, and activate shower to test operation. Step off the platform to turn off the shower.
- On the Eye/Face wash, slowly push the "PUSH" handle forward to start the water flow. Flush until the water runs clean then pull back on the push handle to stop flow. SEE IMAGE 5
- Remove internal strainer by unscrewing the strainer cap with a flat head screw driver. Clean the strainer and fit the strainer back on. SEE IMAGE 6



6. Use a flat screwdriver to turn off the Ball Valve before Eye (Eye/Face) Wash Activation ball valve. Turn the push handle to the full open position and adjust the second ball valve with screwdriver until the correct flow is achieved. SEE IMAGE 7 & 8
7. Once correct operation has been checked, turn off the valve by positioning the handles back up to the fully OFF position. SEE IMAGE 5
8. Flip the dust covers over onto Eye/Face wash outlet.
9. The decontamination shower and eye/face wash are now ready for use.



operating instructions



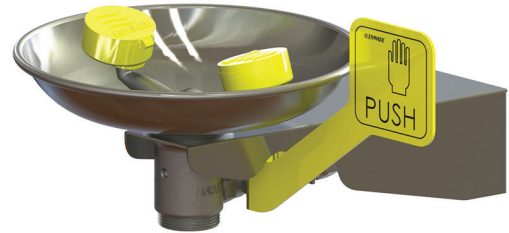
maintenance

The decontamination shower and eye/face wash units should be activated every week for a period long enough to verify operation and ensure the flushing fluid is available. Note: the intent is to ensure that there is a flushing fluid supply at the head of the device and to clear the supply line of any sediment build up that could prevent fluid from being delivered to the head of the device and to minimise microbial contamination due to sitting water.

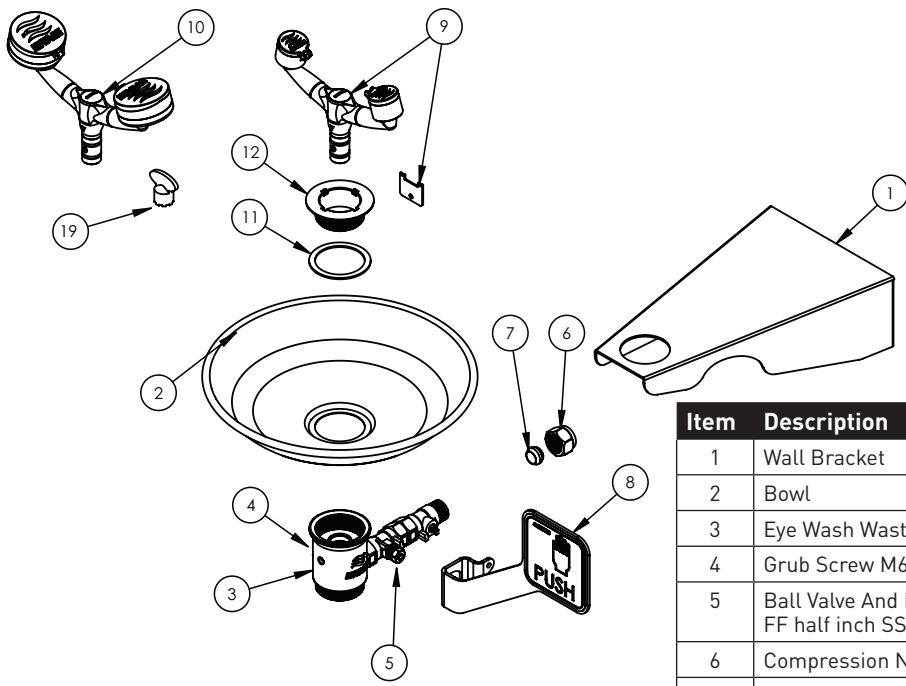
All shower and eye wash units shall be inspected annually by a qualified technician to assure conformance with ANSI 113, ANSI Z358.1 or AS4775, whichever is applicable to the installation.

AS4775 safety equipment minimum performance checklist (Eye/Face Wash)

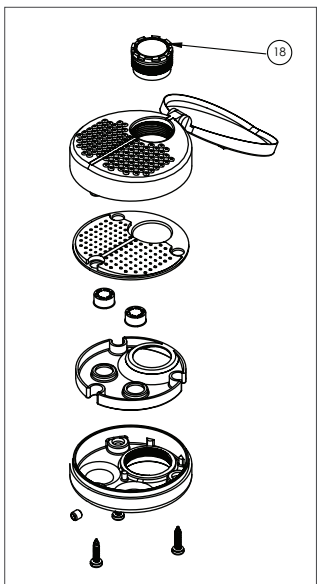
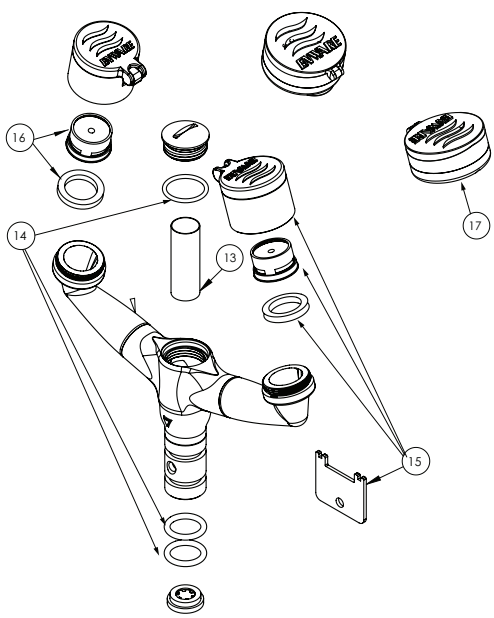
- Installation shall be in accordance with proper plumbing practices. Supply piping shall be adequately sized to meet flow requirements. (Sec D1)
- All plumbed emergency equipment shall be connected to a continuous source of flushing fluid supply which may be drinking water, preserved water, preserved buffered saline solution or other medically acceptable solution manufactured acceptable solution manufactured and labelled in accordance with applicable government regulations. (Sec 4.4, 4.10, 6.7 (c)), 7.5 (b), 8.5 (b), 9.5 (b), 11.3.3 (c))
- All equipment shall be constructed of corrosion-resistant materials (Sec 4.2, 5.1) Note: The Plumbing Code of Australia does not allow the use of galvanised pipes or fittings on drinking water supply lines. AS/NZS3500.1 Sec 2.4.2(c)
- Safety equipment shall be accessible within 10 seconds of hazard. (Sec 6.6, 7.4, 8.4, 9.4)
- Safety equipment shall be located on the same level as the hazard and the path of travel shall be free of obstructions. (Sec 6.6, 7.4, 8.4, 9.4)
- Emergency equipment location shall be well illuminated and be identified by a highly visible sign complying with AS1319 visible throughout the area served by the equipment. (Sec 6.6, 7.4, 8.4, 9.4)
- Employees who may be exposed to hazardous materials shall be trained in the location and proper use of emergency equipment. (6.8, 7.6, 8.6, 9.6).
- Emergency equipment shall be activated weekly to verify operation (6.8, 7.6, 8.6, 9.6)
- Emergency equipment shall be inspected annually to ensure conformance with the requirements of AS4775. (Sec 6.8, 7.6, 8.6, 9.6)
- Eye / face wash equipment shall deliver flushing fluid to the eyes simultaneously at a flow rate not less than 11.4 l/min at 210kPa. The flushing fluid streams should rise to approximately equal heights and should cover the areas between the interior and exterior lines of the test gauge when lowered not more than 38mm below the fluids peak. (Sec 8.1, 8.3, 9.1 (d))
- The flushing fluid nozzles of eye and eye/face wash units shall be not less than 838mm and no greater than 1143mm from the surface on which the user stands and 153mm from the wall or nearest obstruction. (Sec 7.4, 8.4, 9.1 (c), 9.1 (d))
- The eye and eye/face wash operating control valve shall remain open without the use of the operator's hands. The valve shall be simple to operate and go from closed to fully open in one second or less. The valve shall be corrosion resistant. (Sec 7.2, 8.2, 9.1 (c), 9.1 (d))



spare parts



Item	Description	
1	Wall Bracket	
2	Bowl	ESPE008
3	Eye Wash Waste With Inlet Control Valve	ESPE818
4	Grub Screw M6 X 12Mm Waste Tee	ESPE814
5	Ball Valve And Flow Control Assembly FF half inch SS one piece	ESP005
6	Compression Nut 1/2"	
7	Nylon Olive 1/2" Bsp	
8	Push Handle	ESPE813
9	Eye Wash Outlet Tee Piece Assembly	ESPE815
10	Eye/Face Wash Outlet Tee Piece Assembly	
11	Waste Washer	
12	Waste 1-1/2"	
	Inspection Tag	ESS521
	Eye Wash Sign 250mm x 250mm Vinyl	ESS509



Item	Description	
13	Mesh Filter 1/2" (40 Mesh)	ESPE811
14	O-rings for Eye & Eye/Face Wash Tee Piece (2x Spigot O-rings, 1x Strainer Cap O-ring)	ESPE812
15	Eye Wash Dustcover With Aerator (1 Pair) and key	ESPE016
16	Aerator and Washer to Suit Eye Wash (1 each)	ESPE015
17	Eye/Face Wash Outlet (each)	ESPE012
18	Aerator to Suit Eye/Face Wash	ESPE013
19	Aerator Key to Suit Eye/Face Wash Only	ESPE014

Enware Australia Pty Limited (ACN 003 988 314) (“we” or “us”) warrants that this product (also referred to as “our goods”) will be free from all defects in materials and workmanship for 24 months* from the date of purchase. Our liability under this warranty is limited at our option to the repair or replacement of the defective product or part, the cost of repair of the defective product or part or the supply of an equivalent product or part, in each case if we are satisfied the loss or damage was due to a defect in the materials or workmanship of the product or part. All products must be installed in accordance with the manufacturer’s instructions, the PCA, and AS/NZS3500 including any other applicable regulatory requirements.

making a claim

To make a claim under this warranty you must notify us in writing within 7 days of any alleged defect in the product coming to your attention and provide us with proof of your purchase of the product and completed the Online Product Service and Warranty Form available on website [www.enware.com.au / product-service-enquiry](http://www.enware.com.au/product-service-enquiry).

All notifications and accompanying forms must be sent to us marked for the attention of the Enware Australia Pty Limited, 9 Endeavour Road, Caringbah NSW 2229. We can also be contacted by telephone (1300 369 273) or by email (info@enware.com.au).

Your costs in making a claim under this warranty, including all freight, collection and delivery costs, are to be borne and paid by you. We also reserve the right at our cost to inspect any alleged defect in the product wherever it is located or installed or on our premises.

*Conditional warranty: 1 Year parts and labour on complete assembly. After 1 year, a further 1 year parts only warranty is applicable.

exceptions

This warranty does not apply in respect of any damage or loss due to or arising from:

- a) Failure by you or any other person to follow any instructions for use (including instructions and directions relating to the handling, storage, installation, fitting, connection, adjustment or repair of the product) published or provided by us;
- b) Failure by you or any other person responsible for the fitting, installation or other work on the product to follow or conform to applicable laws, standards and codes (including the AS/NZ 3500 set of Standards, all applicable State and Territory Plumbing Codes, the Plumbing Code of Australia and directions and requirements of local and other statutory authorities); or
- c) Any act or circumstance beyond our control including faulty installation or connection, accident, abnormal use, acts of God, damage to buildings, other structures or infrastructure and loss or damage during product transit or transportation.

other conditions

Except as provided or referred to in this document, we accept no other or further liability for any damages or loss (including indirect, consequential or economic loss) and whether arising in contract, tort or otherwise. Any benefits available to you under this warranty are in addition to any non-excludable rights or remedies you may have under applicable legislation, including as a “consumer” under the Australian Consumer Law. To that extent you need to be aware that: Our goods come with guarantees that cannot be excluded under the Australian Consumer Law. You are entitled to a replacement or refund for a major failure and for compensation for any other reasonably foreseeable loss or damage. You are also entitled to have the goods repaired or replaced if the goods fail to be of acceptable quality and the failure does not amount to a major failure.



ADDRESS: 9 Endeavour Road, Caringbah NSW 2229 Australia

POSTAL ADDRESS: P.O. Box 2545, Taren Point NSW 2229 Australia

PHONE: 61 2 8536 4000 FAX: 61 2 8556 4066

1300 369 273 (AUS) WWW.ENWARE.COM.AU INFO@ENWARE.COM.AU

ABN 23 003 988 314

