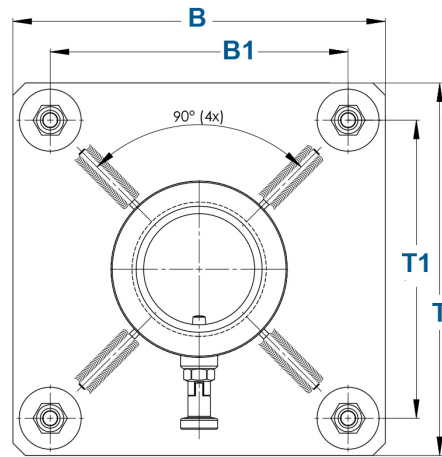
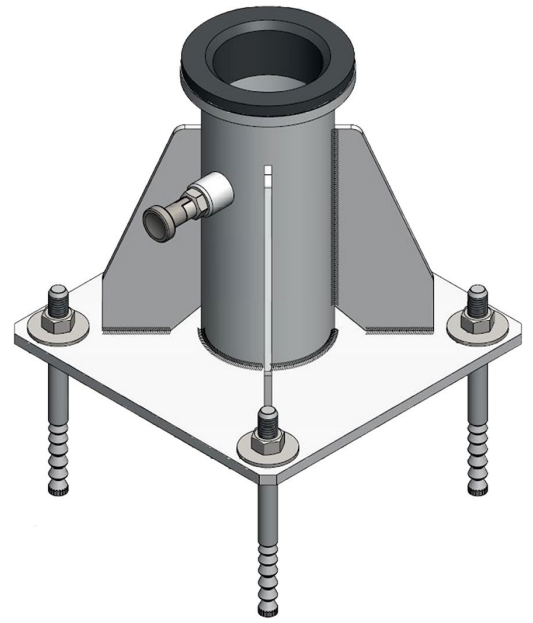
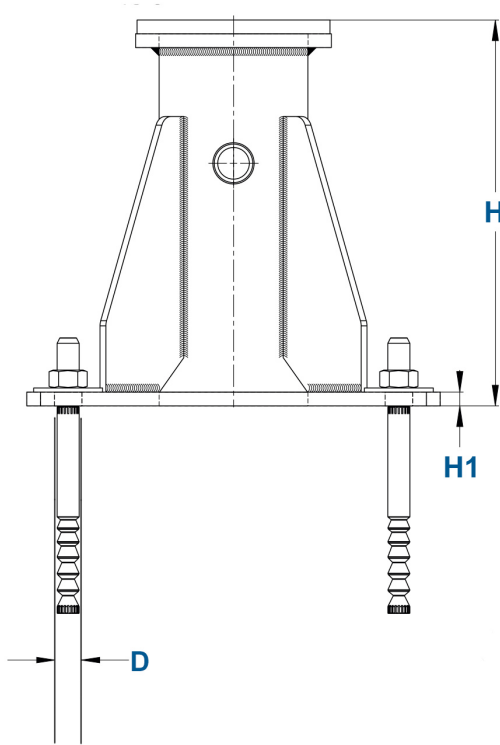




## IKAR Davit Ground Sleeve

Product Code – 41-57/1



H	H1	B	B1	T	T1	D	Weight
280mm	10mm	300mm	240mm	300mm	240mm	20mm	13.5Kg

### Details:

- Main body is stainless steel (V4A)
- Davit post rotates on Polyester (PA Polyamide) fixed bearing
- Supplied with 4 x M16 resin fix bolts, washers, nuts and resin
- Installation and testing instructions detailed in the user manual
- When used with an IKAR Davit Arm (types AASS 1-4 & ASS 1-4) the system is in accordance to EN795 Class B.