

Part #500242-001

Product Instructions

REVERSIBLE ELBOW OFFSET MAST

ASSEMBLY

1. The reversible elbow offset mast consists of three separate pieces: the offset tube, the elbow and the center post.
2. Insert the center post into a Pelsue sleeve component such as a portable base or permanently mounted sleeve. Please note that mast offsets over 24 in.(610 mm.) may not be used with the portable base.
3. Lower elbow onto center post and secure the lower hitch pin.
4. Depending upon the model chosen, the reversible elbow will allow for offset reaches of 18 in.(457 mm.), 24 in.(610 mm.), 30 in.(762 mm.), 36 in.(914 mm.), 42 in.(1067 mm.) or 48 in.(1219 mm.). Choose one of the three available offset tubes and position the tube into the upper elbow position. Once positioned, secure the upper hitch pin.

OPERATION

1. Make certain the mast assembly is inserted into a Pelsue brand sleeve system. Make certain that all winches and self-retracting lifelines are in good working order.
2. The mast system is designed for raising and lowering personnel and has a maximum rated capacity of 350 lbs.(159 Kg.) If the mast could experience a fall event during use, a man rated fall arrest device limiting arrest forces to 900 lbs.(408 Kg.) must be used.
3. Pay out sufficient cable from the winch to attach the D-ring of the entrant's harness.
4. With entrant standing next to the structure but not over the opening, tighten cable to a semi-taut position.

MAINTENANCE

1. Store structure in clean, dry environment.
2. Keep all pins attached to retaining cables.
3. Remove winch assembly and store.
4. Unit may be stored assembled as one piece or separated into three sections.

5. Install winch/SRL on mounting bracket provided on center post.
6. Pay out necessary amount of cable to extend beyond the tip of the mast head.
7. Cable from winches/SRLs mounted on the back must travel over back mounted roller before being seated in one of two independent front pulleys. Thread cable through slot on the face of mast tip and onto pulley.
8. Cable from winches/SRLs mounted on the front of the mast must be threaded through the mast head directly behind the two top pulleys and then threaded through the slot on the face of mast tip before seating into pulley.
9. The mast may be rotated 360° depending on the type of receiver used for a base.

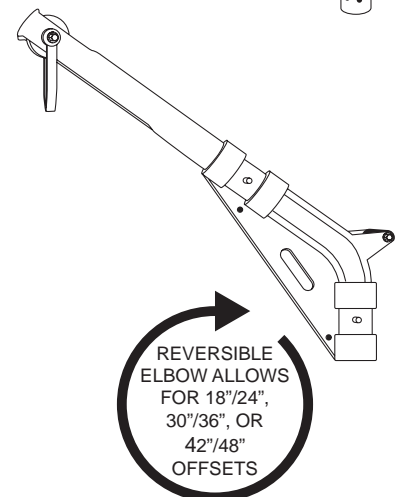
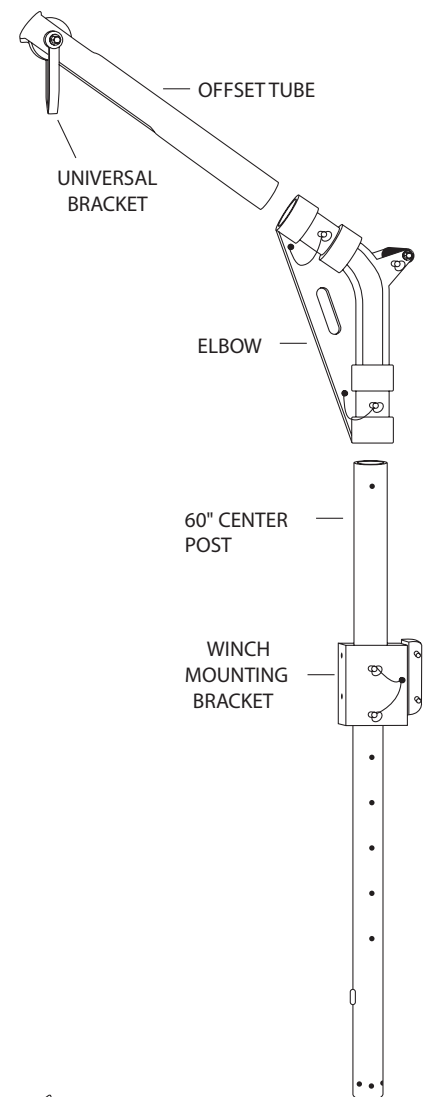
5. Pre-test system integrity by simulating the applied weight of the entrant.
6. Once tested, swing the mast head over the opening and proceed to perform an entry.
7. The mast assembly when under load is designed for rotation up to 360°. Rotation may be limited by the capacities of the sleeve systems used with the mast. Please refer to the operating instructions included with your Pelsue sleeve system.
8. The U-bracket at the mast head is designed as an anchor bracket for self-retracting lifelines or rope tie off.

INSPECTION

Prior to each use, the following inspection must be performed:

1. Visually scan the structure to ensure there are no signs of cracking, fatigue or gouges.
2. Check all bolts and pins to ensure they are installed correctly.
3. Check pulleys for wear.
4. Inspect winch cable to ensure it is correctly threaded through pulleys.

Note: In the event any of the above checks are not satisfactory, the unit must be removed from service and the deficiency corrected.



Heightech Safety Systems
P: 1800 723 343
orders@heightechsafety.com.au
www.heightechsafety.com.au