



Providing a safe means for workers to access and work in all types of Confined Space Applications.

Industry Experience 2

ABCD's of Fall Protection 3

Advanced Hoist Systems 4-5

Advanced Davit Arm Systems..... 6-7

Advanced Portable Bases 8-9

Advanced Vehicle Hitch Mount Sleeve..... 10

Advanced Davit Arm Bags & Accessories 11

Advanced Fixed Bases..... 12-13

Advanced Counterweight Systems 14-15

Advanced Pole Hoist Systems 16

Advanced Tank Pod System 17

Advanced Side Entry Systems 18-19

Advanced Portable Fall Arrest System 20-21

Self Retracting Lifelines 22-23

Advanced Digital Series Winches 24-26

Salalift™ II Winches, Brackets & Accessories .. 27

Training 28



A, B, C, D of Fall Protection

The A, B, C, D of Fall Protection covers the fundamental requirements of every personal fall protection system. Use it as a guide when evaluating your fall protection requirements, however, always consult a fall protection specialist if you're unsure of any aspect of fall protection or fall protection equipment.

A-Anchorage

Anchorage devices provide a secure point of attachment (to an existing structure) for the fall arrest system. Anchorage devices can be permanent or temporary and vary to suit the type of structure available.



B-Body Support

Full body harnesses connect the worker to the fall arrest system. They are specially designed to protect the worker against serious injury in the event of a fall whilst also remaining comfortable to wear.



C-Connectors

Connectors are devices that connect the full body harness to the anchorage system. They can be single products or multiple devices working together.



D-Descent/Rescue

Descent & Rescue systems enable the retrieval of an injured or incapacitated worker. In the event of a rescue, this equipment facilitates rapid recovery of the worker without endangering other workers in the process.



The Advanced Series Hoist Systems are designed for manhole and confined space entry/retrieval applications.

These units are constructed of lightweight materials including high-strength aluminium. The Davit pivots for ease of rescue and has a limited adjustment for overhead clearance restrictions. The lower base adjusts to fit most standard entries. Many other bases are available.

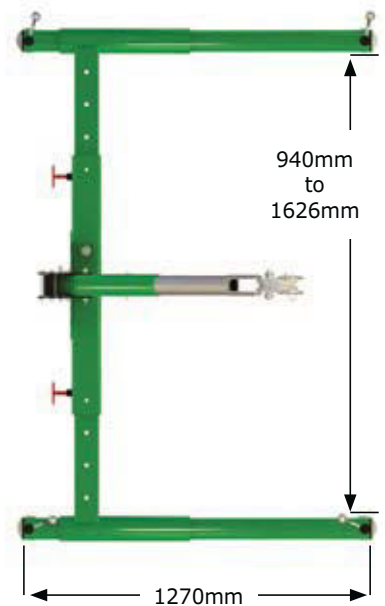
Options include lower masts to match overall height requirements.



Advanced 5 Piece Hoist System

Model #	Description	Weight
8518000	Includes 305mm - 737mm adjustable offset upper mast (8518001), 838mm light-weight lower mast (8518002), and 3 piece lightweight base (8518005).	45.5kg

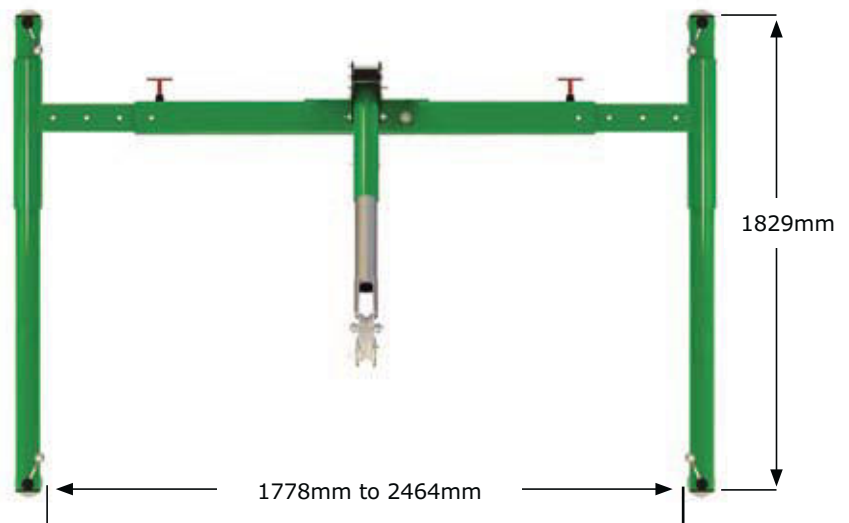
Note: Winch not included.



Advanced 5 Piece Hoist System

Model #	Description	Weight
8518040	Includes 762mm - 1080mm adjustable offset upper mast (8518006), 838mm lightweight lower mast (8518002), and 3 piece lightweight base (8518008). Includes winch mount brackets.	62.3kg

Note: Winch not included.





Advanced Davit Arm Systems



1 - FALL ARREST ANCHORAGE

Davits feature a 2268kg anchor point for fall arrest anchorage.

2 - ADJUSTABLE HEIGHT

Eliminates the need for custom length masts and extensions.

3 - WINCH OPTIONS

Davits can be equipped with back mounted winches or SRL's with retrieval capabilities.

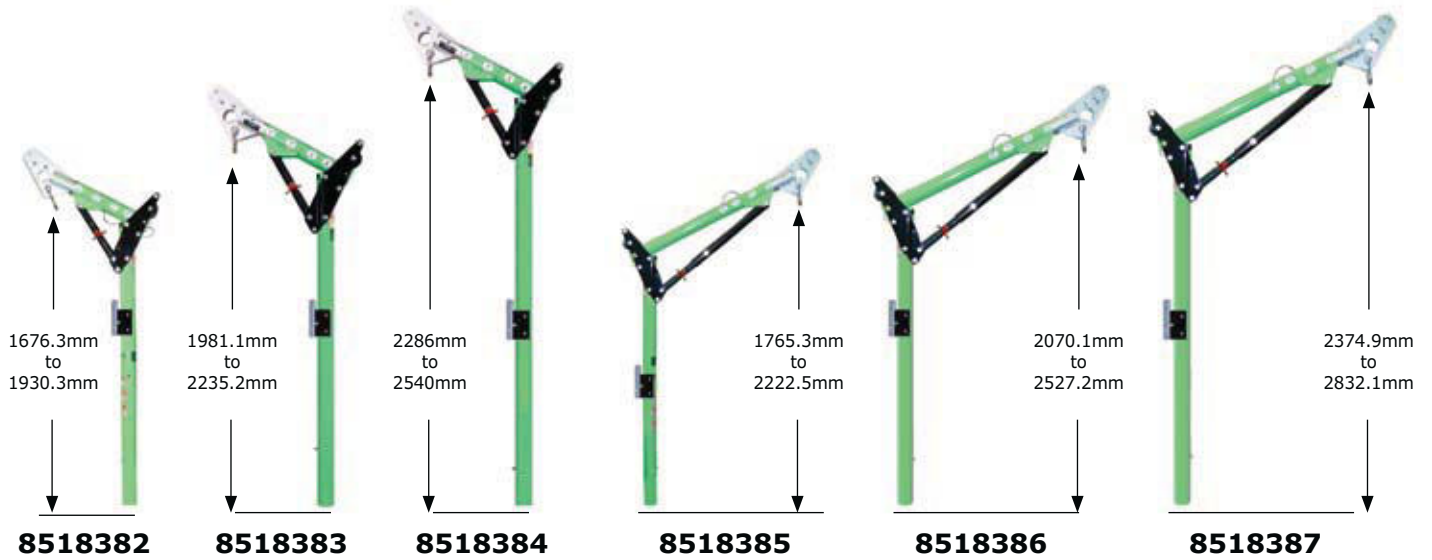
4 - LOWER MAST EXTENSIONS

Allow the user to increase the overall anchorage height of the system.

5 - BASE OPTIONS

Several portable and fixed base options are available for complete versatility.

Variable Offset Davits are designed for use where multiple offset masts are required. The Variable Offset Masts may be equipped with front mounted and/or back mounted winches or SRL's and feature a 2272kg capacity anchor point for fall arrest anchorage. For applications with overhead clearance restrictions, the adjustable height of the Variable Offset Masts can eliminate the need for custom length masts and mast extensions. The addition of the quick-release pin allows for easy collapsibility and transport.



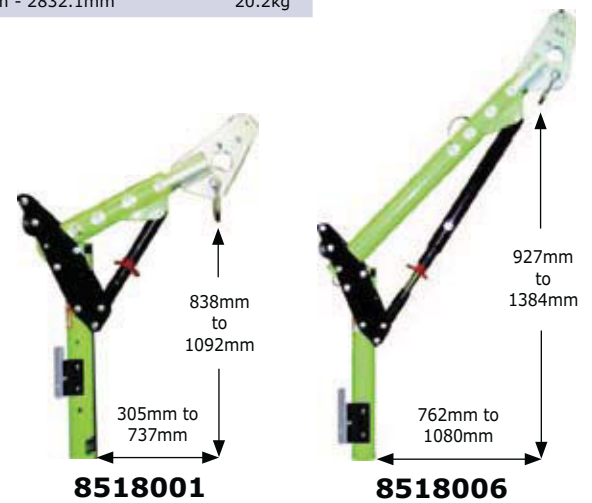
Advanced One Piece Adjustable Offset Davits

Model #	Description	Weight
8518382	One Piece Adjustable Offset Mast 305mm - 737mm, Anchor Point Height 1676.3mm - 1930.3mm	15.3kg
8518383	One Piece Adjustable Offset Mast 305mm - 737mm, Anchor Point Height 1981.1mm - 2235.2mm	16.6kg
8518384	One Piece Adjustable Offset Mast 305mm - 737mm, Anchor Point Height 2286mm - 2540mm	18.0kg
8518385	One Piece Adjustable Offset Mast 762mm - 1080mm, Anchor Point Height 1765.3mm - 2222.5mm	17.5kg
8518386	One Piece Adjustable Offset Mast 762mm - 1080mm, Anchor Point Height 2070.1mm - 2527.2mm	18.9kg
8518387	One Piece Adjustable Offset Mast 762mm - 1080mm, Anchor Point Height 2374.9mm - 2832.1mm	20.2kg

Advanced Upper Offset Masts

Masts come standard with one set of winch mount brackets to accommodate a DBI-SALA winch or SRL. Additional brackets are available.

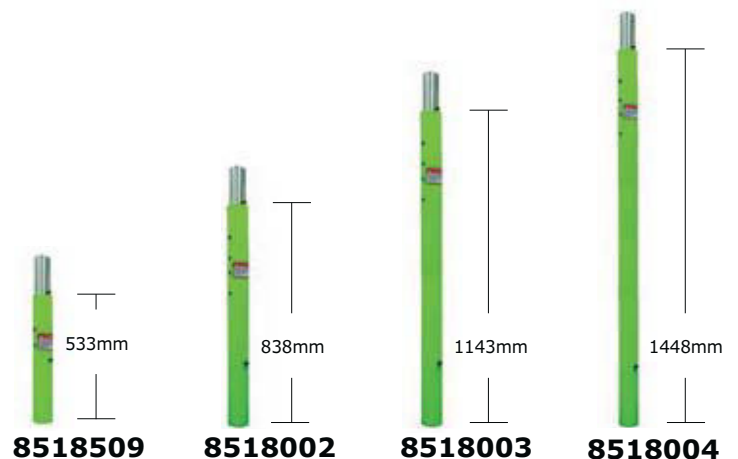
Model #	Description	Weight
8518001	305mm to 737mm	11.25kg
8518006	762mm to 1067mm	13.75kg
8518006AU	Mast Offset Reach 762mm - 1080mm, Anchor Point Height 927mm - 1384mm This model is rated to 15kN	16.75kg



Advanced Lower Masts & Extensions

Working length lower mast/extensions for use only with Advanced Series Davit. Combine up to 2 lower mast extensions to increase the anchorage height. *Custom lengths are available. Please call.

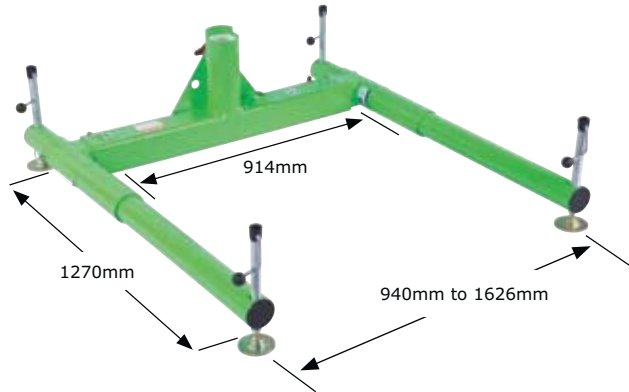
Model #	Description	Weight
8518509	533mm	6.8kg
8518002	838mm	8.2kg
8518003	1143mm	9.5kg
8518004	1448mm	10.9kg





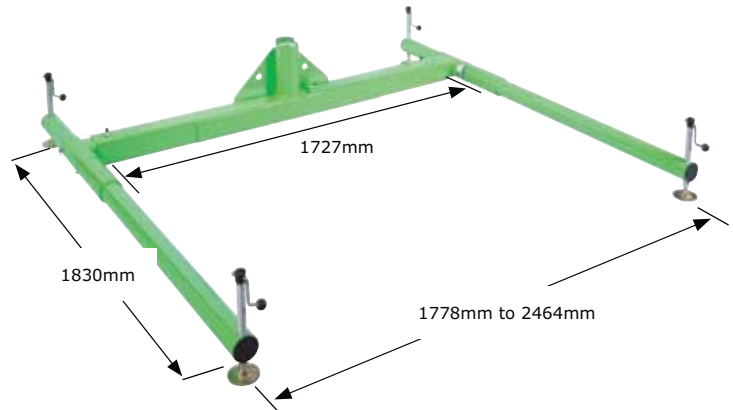
Advanced 3 Piece Expandable Base For Max. 737mm Offset

Model #	Description	Weight
8518005	Advanced 3 Piece Expandable Base For Max 737mm Offset	27.3kg



Advanced 3 Piece Expandable Base For Max. 1080mm Offset

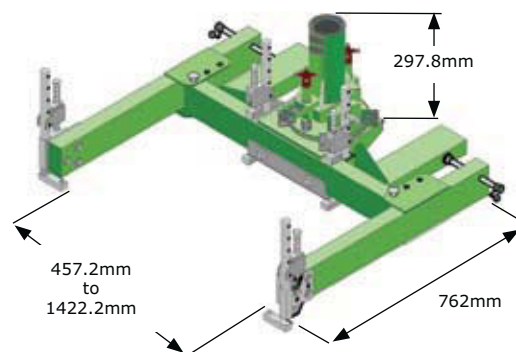
Model #	Description	Weight
8518008	Advanced 3 Piece Expandable Base For Max 1080mm Offset	41.8kg
8518008AU	Width 1778mm - 2464mm, Length 2345mm This model is rated to 15kN	65.3kg



Advanced Portable and Fixed Bases work with a variety of Advanced Davit Arm and Mast Extensions. Portable bases are ideal for work areas where frequent set-up and tear down is required. Fixed bases mount to existing structures.

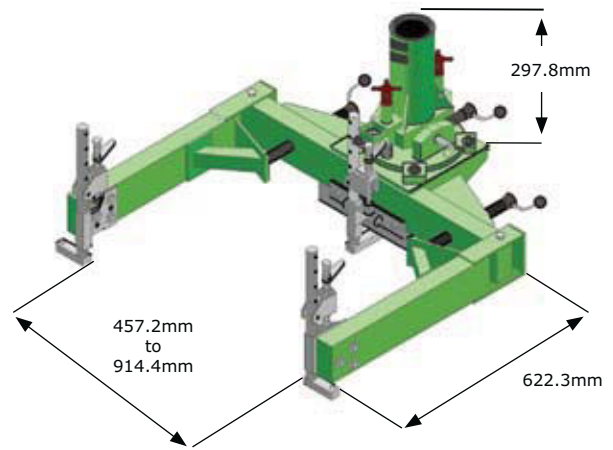
External Tank Collar

Model #	Description	Weight
8519377	Comes with Adjustable Sleeve 37.2kg Assembly (8511232). Used on manways with a flange structure that the unit may be secured onto. This collar can clamp onto 152 mm max thick flange.	37.2kg



Internal Tank Collar

Model #	Description	Weight
8519378	Comes with Adjustable Sleeve Assembly (8511232). Used on manways with a structure that the unit may be secured onto. This collar may be used with sleeve assemblies and masts or for vertical entries.	27.7kg



Manhole Collar

Model #	Description	Weight
8510501	Designed for applications involving frequent setups over similarly sized access openings. Lightweight, powder-coated aluminium construction for portability. Comes with PVC sleeve liner. Custom sizes and shapes available. Please call for more information.	16-27kg
8510520	495mm Manhole Collar for use on manways 508mm - 558mm in diameter	16-27kg
8510457	546mm Manhole Collar for use on manways 558mm - 609mm in diameter	16-27kg
8510163	597mm Manhole Collar for use on manways 609mm - 660mm in diameter	16-27kg
8510633	647mm Manhole Collar for use on manways 660mm - 711mm in diameter	16-27kg
8510632	698.5mm Manhole Collar for use on manways 711mm - 762mm in diameter	16-27kg
8510546	749mm Manhole Collar for use on manways 762mm - 812mm in diameter	16-27kg
8512994	851mm Manhole Collar for use on manways 863mm - 914mm in diameter	16-27kg



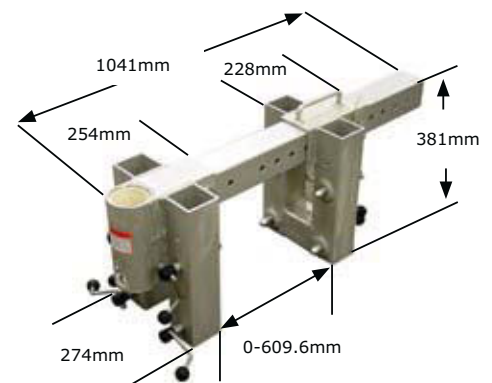
Barrel Mount Sleeve with 89mm Opening

Model #	Description	Weight
8510323	Mild steel construction. Eight independent clamping screws allow temporary installations over edges of shoring cans, walls and other structures. Comes with PVC inner liner. Custom fit openings available.	16.6kg



Adjustable Barrel Mount Sleeve

Model #	Description	Weight
8512285	Designed for shoring, wall and parapet applications where frequent set-up over varying wall thicknesses is required. Standard unit accommodates wall thicknesses up to a maximum of 609.6mm, with shorter or longer adjustment tubes available on request. Anodized, welded aluminium with zinc plated steel hardware for lightweight durability. Comes with inner sleeve. Custom sizes are available.	25.5kg

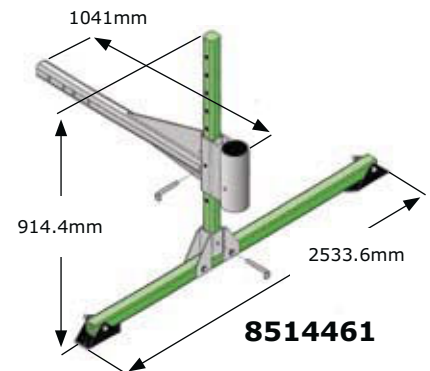
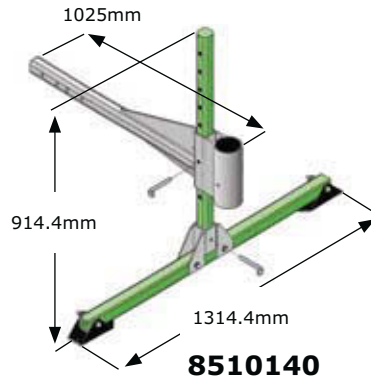




The Vehicle Hitch Mount Sleeve is designed to install into a 51mm hitch receiver on an attendant vehicle to provide a portable anchor point for confined space entry/retrieval, rescue and fall-arrest systems. Various sockets, extensions and accessories are available to allow use of the sleeve in a multitude of situations.

Advanced Vehicle Hitch Mount Sleeve

Model #	Description	Weight
8510140	Assembly for a maximum 736.6mm Offset Mast	25.8kg
8514461	Assembly for a maximum 1219.2mm Offset Mast	28.1kg



Vehicle Hitch Sleeve Extensions

Extensions are available in a variety of lengths. A maximum of one extension can be used with a hitch mount and a bumper attachment.

Model #	Description	Weight
8514503	0.61m Sleeve Extension	7.7kg
8512829	1.21m Sleeve Extension	12.6kg
8511384	1.83m Sleeve Extension	17.6kg



Bumper Attachment Options

Model #	Description	Weight
8511401	Universal Joint Assembly. The Universal Joint Assembly installs between the standard model 8510140 Hitch Mount Sleeve or extensions and the attendant's vehicle to compensate for uneven ground conditions at the site.	4.5kg
8520886	Universal Hitch Ball Coupler	7.6kg

Advanced 5 Piece Equipment Cart

Model #	Description	Weight
8518270	Transport the Advanced 5 Piece System with maximum ease over smooth or rough terrain. Ideal for tight storage situations.	8.9kg



Carry Bags

Model #	Description
8513330	With protective plastic liner for Advanced Davit arms (8518383, 8518384, 8518386 and 8518387).
8513564	For 305mm - 737mm offset mast. Lower mast w/protective plastic liner.
8518513	Set of 2 for Model 8518000 5 Piece Hoist Systems.
8513565	For 3 Piece Base (8510732) c/w protective plastic liner.



These essential accessories make transportation and storage of your Advanced Hoist Systems and components simple and easy.

8513330

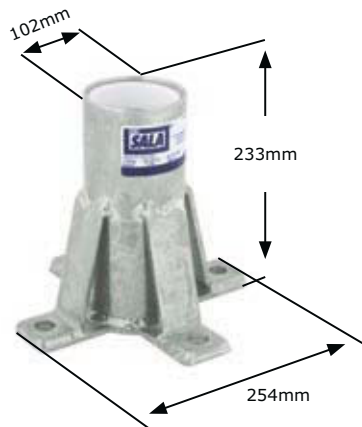


8513565





Advanced Portable and Fixed Bases work with a variety of Advanced Davit Arm and Mast Extensions. Portable bases are ideal for work areas where frequent set-up and tear down is required. Fixed bases mount to existing structures.



8518503

Floor Mount Sleeve

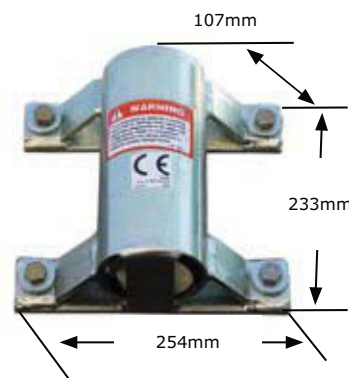
Model #	Description	Weight
8518503	Galvanised mild steel construction. Mounts to horizontal concrete or steel structure. Comes with PVC sleeve liner.	5.9kg
8518347	304 stainless steel	5.9kg



8510110

Core Mount Sleeve

Model #	Description	Weight
8510110	Stainless steel construction. Designed for slip-in installation into 101.6mm core hole in concrete or in an existing steel structure. Comes with PVC sleeve liner.	3.6kg



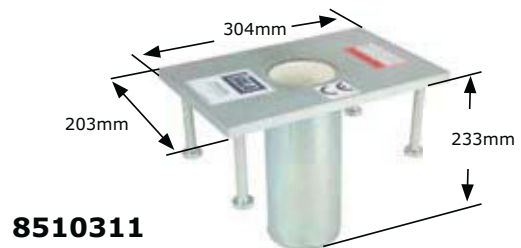
8518348

Wall Mount Sleeve

Model #	Description	Weight
8518348	304 stainless steel construction. Compact design creates minimum intrusion into work space. Mounts to vertical concrete or steel structures. Comes with PVC sleeve liner.	-
8518504	Galvanised mild steel construction.	5.5kg

Flush Floor Mount Sleeve

Model #	Description	Weight
8510311	Galvanised mild steel construction. Comes with pins for fresh concrete and cast-in-place concrete anchors for new construction or renovation. Flush mount design allows passage of traffic and eliminates trip hazards when not in use. Comes with PVC sleeve liner.	9.5kg
8512828	Stainless steel construction. Comes with pins for fresh concrete installation.	9.5kg
8510316	Galvanised mild steel construction. Recessed fastener pockets allow for bolt-in installation into existing concrete or steel structure. Flush mount design allows passage of traffic and eliminates trip hazards when not in use. Comes with PVC sleeve liner.	9.5kg
8512827	Stainless steel construction for existing concrete installation.	9.5kg



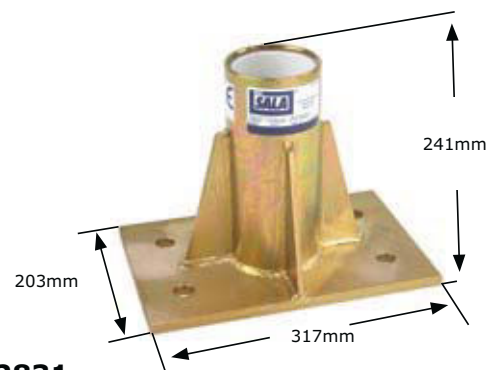
8510311



8510316

Centre Mount Sleeve

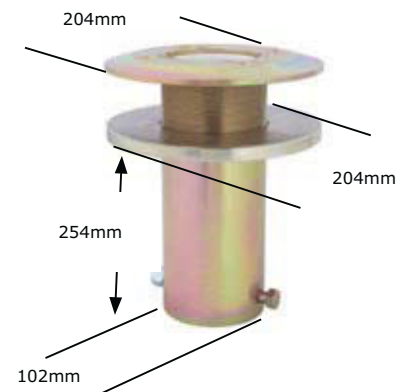
Model #	Description	Weight
8512831	Zinc plated mild steel construction. Mounts to existing concrete. Comes with PVC sleeve liner.	5.9kg
8516563	Stainless steel	5.9kg



8512831

Deck Mount Sleeve

Model #	Description	Weight
8515162	Zinc plated mild steel construction. Designed to slip into a 101.6mm hole in existing flooring. Flush mount design allows passage of traffic and eliminates trip hazards when not in use. Comes with all necessary hardware. Mounts to thicknesses from 6.4mm - 50.8mm max.	7.7kg
8515834	Stainless steel. Includes plastic stopper & mounting hardware.	7.7kg



8515834



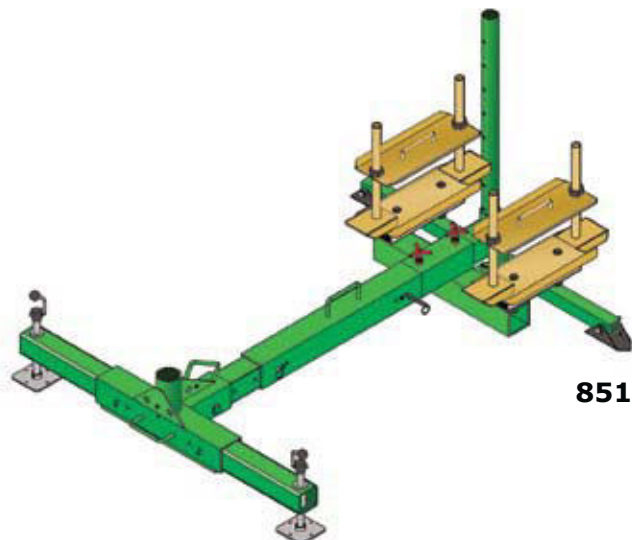
Advanced Counterweight Systems

Model #	Description	Weight
8512894	Counterweight System Base w/Pole Leg Assembly.	90.2kg
8514496	Counterweight System Base w/Screw Leg Assembly. Use this base assembly with the Advanced Catwalk. Clamp to secure to the underside of elevated walkways, catwalks and mezzanines. This option offers a flexible means of tank entry into challenging areas. Weight plates sold separately.	87.1kg



8512894

Note: Winch and davit not included.



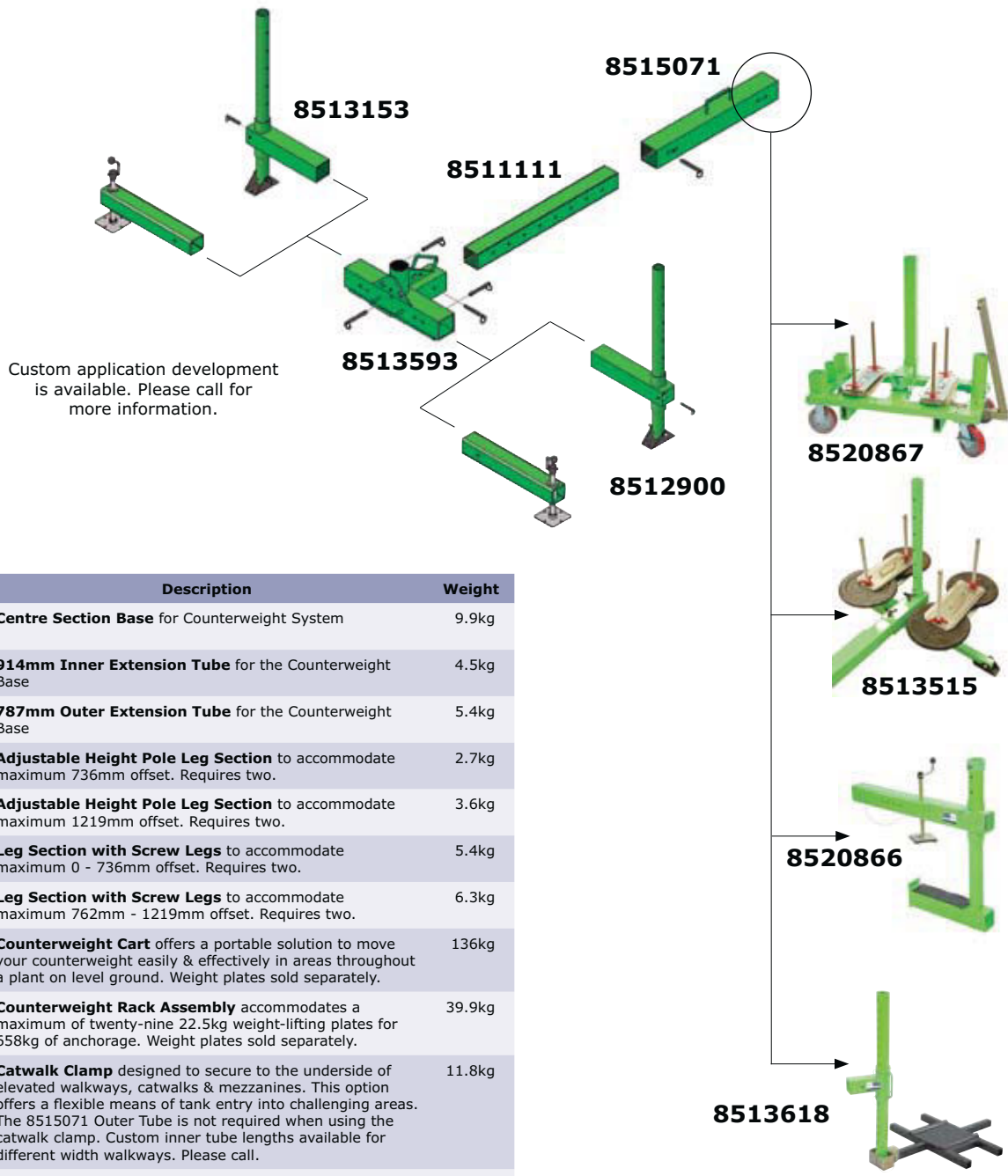
8514496

The Advanced Counterweight System is composed of a central base unit to accommodate a variety of anchoring options, positioning and adjustment legs, and extension assemblies. Anchoring options include a weight rack for counter balanced applications, and a wheel pad assembly to allow counter balance of the unit with an attendant vehicle.

NOTE: Individual weight plates sold separately.

Anchorage Options

The **Counterweight Base** assembles and disassembles without tools and can be fitted with a variety of anchorage and davit arm options for complete versatility. The Pole Leg Assembly system is ideal for use with the Counterweight Rack and Vehicle Counterweight Wheel Pad to adjust the height of the system to accommodate a leading edge. The Screw Leg Assembly System is ideal for use with the Counterweight Cart and Catwalk Clamp.

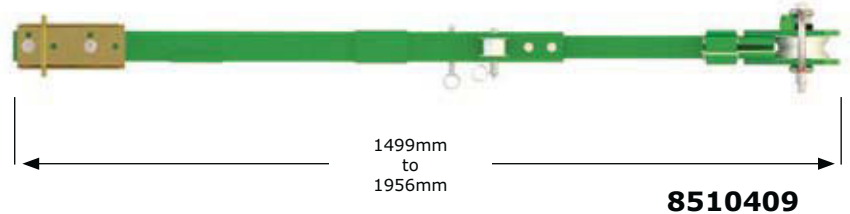


Model #	Description	Weight
8513593	Centre Section Base for Counterweight System	9.9kg
8511111	914mm Inner Extension Tube for the Counterweight Base	4.5kg
8515071	787mm Outer Extension Tube for the Counterweight Base	5.4kg
8513153	Adjustable Height Pole Leg Section to accommodate maximum 736mm offset. Requires two.	2.7kg
8514418	Adjustable Height Pole Leg Section to accommodate maximum 1219mm offset. Requires two.	3.6kg
8512900	Leg Section with Screw Legs to accommodate maximum 0 - 736mm offset. Requires two.	5.4kg
8520887	Leg Section with Screw Legs to accommodate maximum 762mm - 1219mm offset. Requires two.	6.3kg
8520867	Counterweight Cart offers a portable solution to move your counterweight easily & effectively in areas throughout a plant on level ground. Weight plates sold separately.	136kg
8513515	Counterweight Rack Assembly accommodates a maximum of twenty-nine 22.5kg weight-lifting plates for 658kg of anchorage. Weight plates sold separately.	39.9kg
8520866	Catwalk Clamp designed to secure to the underside of elevated walkways, catwalks & mezzanines. This option offers a flexible means of tank entry into challenging areas. The 8515071 Outer Tube is not required when using the catwalk clamp. Custom inner tube lengths available for different width walkways. Please call.	11.8kg
8513618	Vehicle Counterweight System Wheel Pad allows counter balance of the Counterweight System with an attendant vehicle.	18.4kg



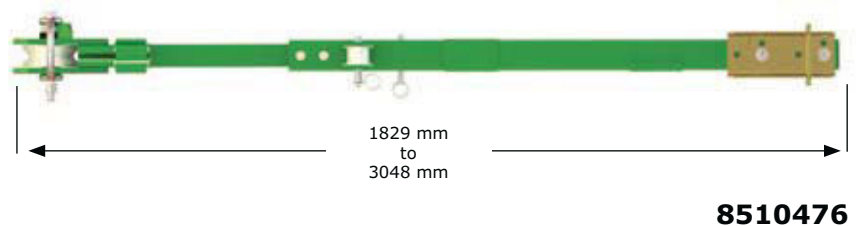
Advanced 1499mm - 1956mm Extendable Pole Hoist

Model #	Description	Weight
8510409	1499mm - 1956mm Extendable Pole Hoist, swivel head & hardware. Includes winch bracket.	5.4kg
8516303	1499mm - 1956mm Extendable Pole Hoist, swivel head & stainless steel hardware. Includes winch bracket.	5.4kg



Advanced 1829mm - 3048mm Extendable Pole Hoist

Model #	Description	Weight
8510476	1829mm - 3048mm Extendable Pole Hoist, swivel head & hardware. Includes winch bracket.	6.4kg
8520869	1829mm - 3048mm Extendable Pole Hoist, swivel head & stainless steel hardware. Includes winch bracket.	6.4kg



The Advanced Pole Hoist attaches with a carabiner on the universal bracket to a suitable anchor point, allowing you to work in any direction from any angle. The Advanced Pole Hoist has a unique swivel head that rotates 360 degrees, providing unparalleled flexibility in both vertical and horizontal confined-space entries. Overall length adjusts from either 1.2m - 2.13m or 1.8m - 3.05m for positioning attendant for working in close quarters. Custom Pole Hoist sizes are available. Please call for more details.

Accessory Options

Model #	Description
8511235	T-bar leg assembly (required)
8516442	T-bar leg assembly w/stainless steel hardware and fasteners
8513329	Carrying Bag for 1499mm - 1956mm Pole Hoist
8513330	Carrying Bag for 1829mm - 3048m Pole Hoist



8513700

Winch and SRL not included.

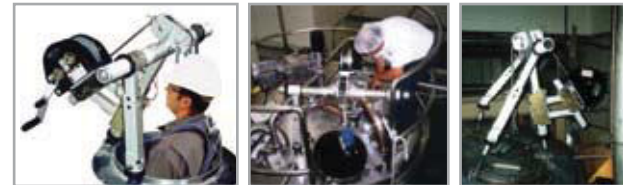


Advanced Tank Pod System & Accessories

Model #	Description
8513700	Advanced Tank Pod, designed to secure to 15.8mm studs
8515982	Wheel Cart for Tank Pod
8515981	Stainless Steel Multiple Angle 19mm Weld-on Studs (3 pack)
8515299	Mounting Stud Extension Adaptor (3 pack) 12.7mm NC - 15.8mm NC
8515300	Mounting Stud Extension Adaptor (3 pack) 15.8mm NC - 15.8mm NC
8515301	Mounting Stud Extension Adaptor (3 pack) 19mm NC - 15.8mm NC
8516012	Tank Pod Mast Extension



8515982



The Advanced Tank Pod is designed to mount to tank manways with existing hardware for securing hatch covers. It mounts to manway flanges on bolt circle diameters from 482.5mm - 914.4mm, with studs from 12.7mm - 19mm NC. Three independently adjustable legs accommodate flange inclinations to a maximum of 45 degrees. The unit can be set up in an overhead clearance of only 635mm. The Tank Pod can be fitted with a variety of winches, ladder systems and fall arrest devices to meet any application requirement.



8515981



8516012



8515299



The Advanced Side Entry System is designed for confined space entry/retrieval and rescue operations involving horizontal entries with vertical positioning or retrieval required inside the space. The Advanced Side Entry System may be used with the model 8511231 External Adjustable Tank Collar for adaptation to different manways. It may also be used with a permanently mounted base and extension post (8514803). The Side Entry System features flexible setup options and a fully articulating boom system. It is fully adaptable to an infinite number of manway designs and surrounding configurations.

Advanced Side Entry System for Permanent Mount Applications

Model #	Description	Weight
8514803	Arm Assembly, Side Entry System	19.9kg
8514796	Support Post: 965mm – 1359mm	15.8kg
8510100	381mm Mast Extension	7.2kg
8510101	610mm Mast Extension	8.6kg
8510102	914mm Mast Extension	10.4kg
8510103	1219mm Mast Extension	12.2kg



NOTE: Shown with Advanced Floor Mount Fixed Base and Digital 100 Series Winch, not included.

Fixed Base Options



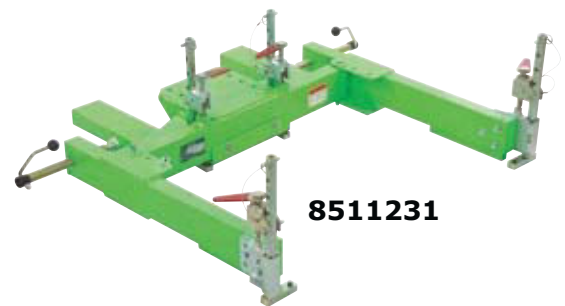
The **Advanced Side Entry System for Permanent Mount** applications can be used with a variety of fixed bases. Please see page 12-13 for more information.

Advanced Side Entry System for Portable Mount Applications

Model #	Description	Weight
8511231	External Adjustable Tank Collar, w/tie bar assemblies, used to fit outside of manway	23.5kg
8511233	Side Entry System Package for use with external adjustable tank collar or permanently mounted bases	31.3kg
8514909	Large Winch Mount Bracket	0.91kg
8511832	Small Winch Mount Bracket	0.91kg



Note: Winch not included.



8511231



8511233



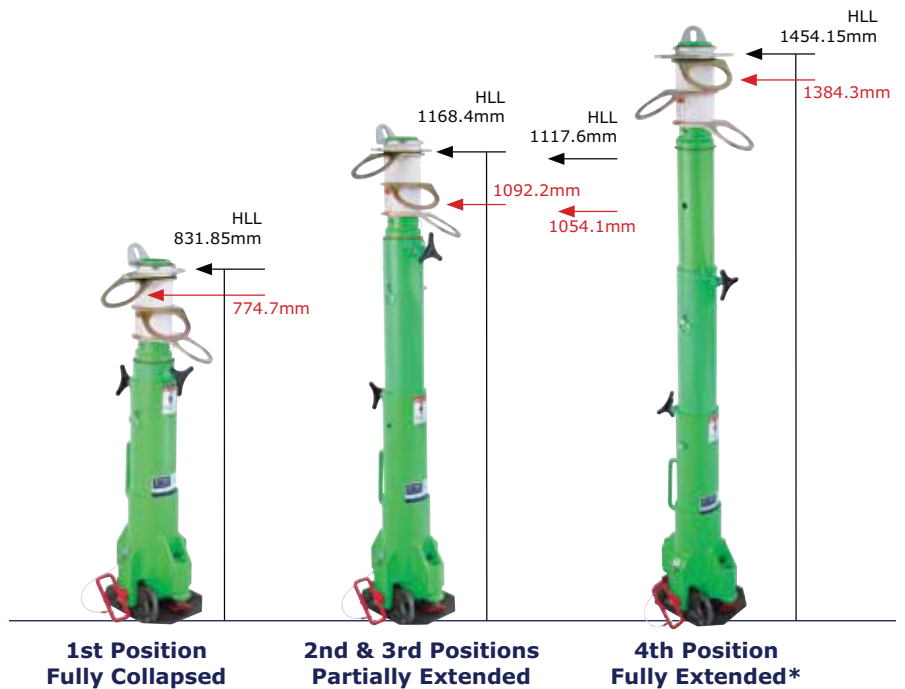
8511832



Advanced Portable Fall Arrest System

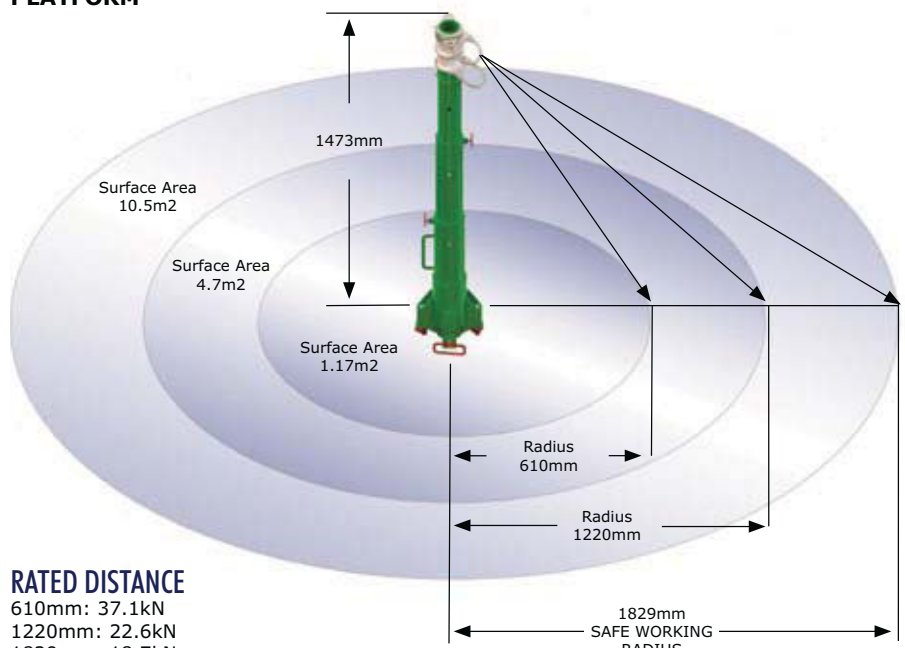
The Portable Fall Arrest System has 3 telescopic working heights ranging from 774mm - 1092mm, all the way up to 1384mm. This decreases a worker's fall distance and increase the overall work area. **NOTE: The Rescue Davit Arm works in the 2nd and 4th positions only.*

Model #	Description	Weight
8516691	Advanced Portable Fall Arrest System	17.2kg



The Advanced Portable Fall Arrest Post is specifically designed for use on top of transformers or other types of vertical platforms with potential fall hazards. It's compact and lightweight design of only 17.2kg makes the post very easy to transport and put in place. The system features 3 independent swivel anchor points. They can rotate 360 degrees, offering freedom of mobility for up to 3 workers with self-retracting lifelines or fixed length lanyards.

PLATFORM



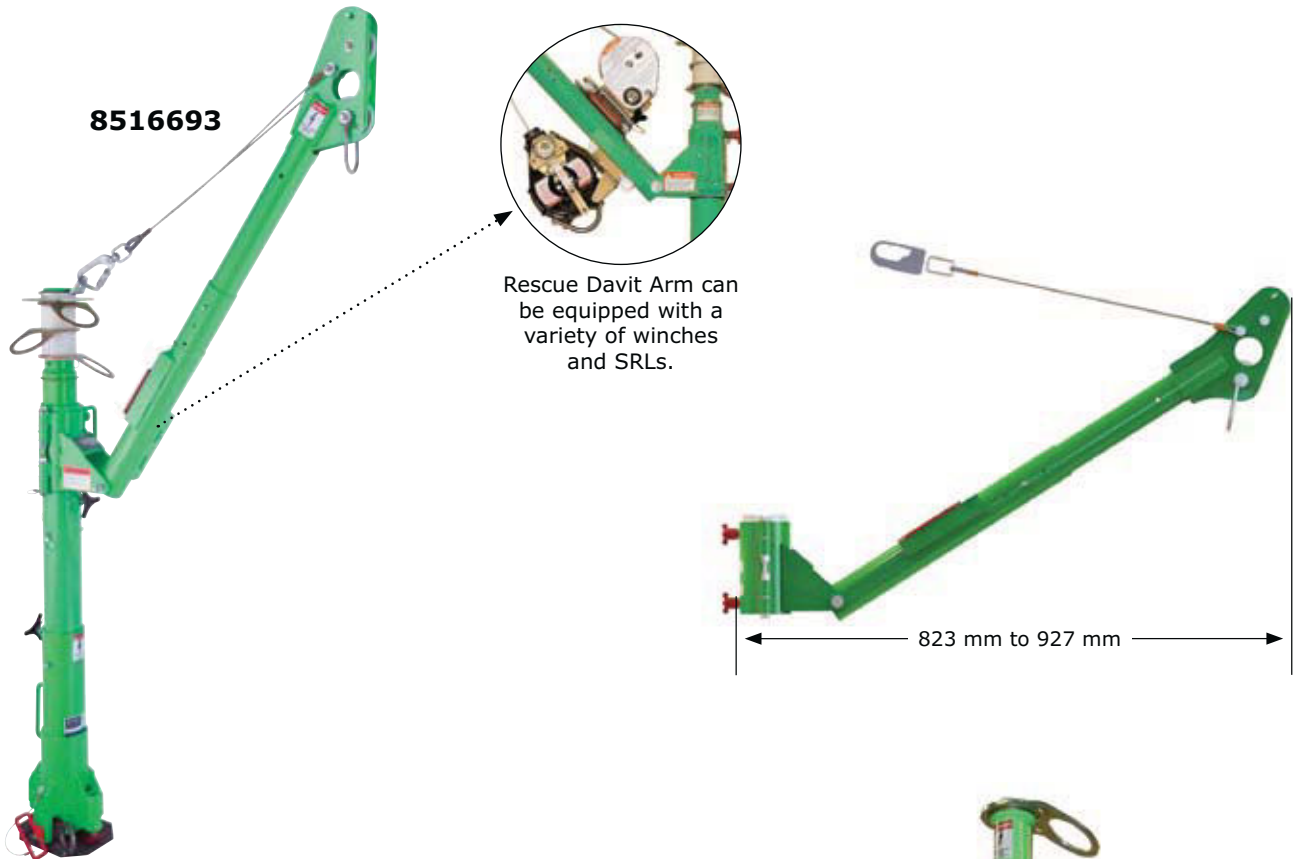
RATED DISTANCE

610mm: 37.1kN
1220mm: 22.6kN
1829mm: 18.7kN

Advanced Portable Fall Arrest Post Rescue Davit Arm

The optional Rescue Davit Arm assembles easily to address material handling or rescue needs. It's made with lightweight aluminium materials for easy transportation and setup.
 *NOTE: The Rescue Davit Arm works in the 2nd and 4th positions only. See previous page.

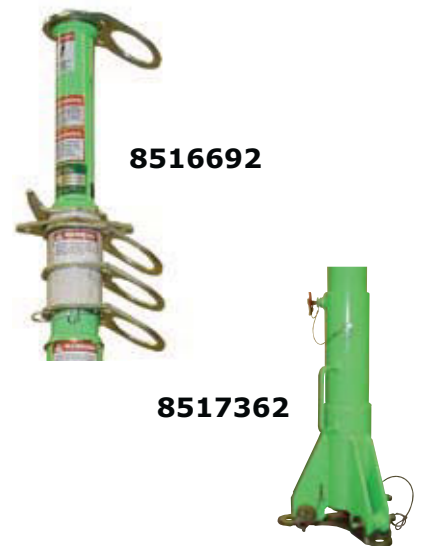
Model #	Description	Weight
8516693	Advanced Portable Fall Arrest Post Rescue Davit Arm	9.3kg



Rescue Davit Arm can be equipped with a variety of winches and SRLs.

Portable Fall Arrest System Options & Accessories

Model #	Description	Weight
8517565	Heavy-duty carrying bag for davit arm only.	-
8512322	Pro-Anchor Plate for use with the Pro-Anchor Style Post.	2.6kg
8516692	356mm Anchor Post Extension allows for tie-off of one worker at an increased height of 1740mm.	2.2kg
8512322	Pro-Anchor Plate for use with the Pro-Anchor Style Post.	2.6kg
8517412	Bare Steel Uni-Anchor with Tie-off Anchors for use in closed environments without chemical or moisture exposure.	5.3kg
8517565	Heavy Duty Black Carrying/Storage Bag for Advanced Series PFAS Anchor Post or Davit Arm.	-
8510816	Weld-on Mounting Plate unplated mild steel construction.	5.3kg
8516997	Uni-Anchor I-Beam Base for connecting the PFAS to an I-Beam.	25.5kg



8512322



8517412



8510816



8516997



Ultra-lok® RSQ Self Retracting Lifelines

The Ultra-Lok™ RSQ Self Retracting Lifeline offers a revolutionary design to allow the worker multiple options within one device, while offering the highest level of security and mobility.

Our exclusive dual-mode operation allows the user, prior to connection, to choose between fall arrest requiring assisted rescue, or self rescue. This two-in-one operation allows the device to be optimised for the work site while providing the ultimate level of worker safety.

Ultra-Lok® RSQ Models

Model #	Description	Weight
3504555	Ultra-Lok™ RSQ Self Retracting Lifeline with Rescue, 15m length, stainless steel cable and hook	8.5kg



3504555

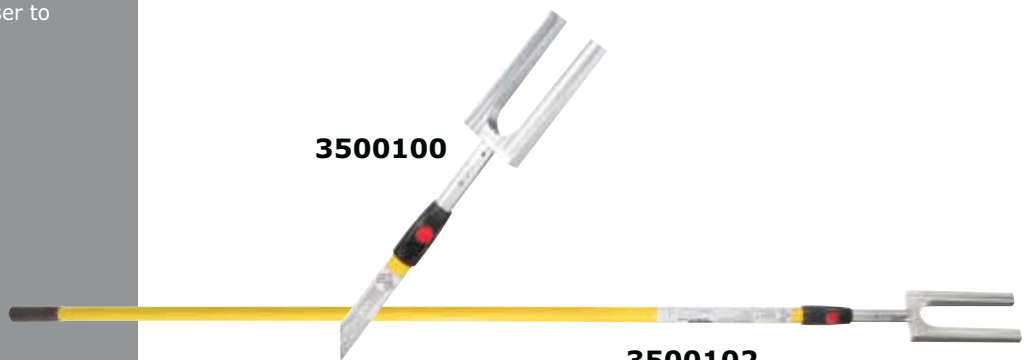


DBI-SALA Self Retracting Lifelines (SRL's) are the most technologically advanced fall protection devices available. SRL's extend and retract automatically, letting you comfortably move about at your normal speed within a recommended working area while operating at peak efficiency. Should a fall occur, a speed sensing brake system activates automatically stopping the fall and reducing the forces imposed on the user to safe levels.

Accessories

Model #	Description
3500100	Assisted Rescue Tool (if you already have a First-Man-Up™ Pole)
3500102	First-Man-Up™ Pole (2.4 - 4.8m) with Assisted Rescue Tool

3500100



3500102

DBI-SALA's sealed SRL's incorporate a revolutionary patented sealed technology that separates all dynamic components from foreign elements such as grease, moisture and dirt. Our sealed range of SRL's are the most durable rugged units available, providing the ultimate in durability and corrosion resistance. Constructed with an aluminium and stainless steel heavy gauge housing that resists damage from impacts and ensures long lasting reliable performance, they are available in a variety of lengths with either stainless steel or galvanised lifelines and impact indicating snap hooks to suit a diverse range of applications. In the event of a fall, the brake will stop the fall and limit arresting forces to 4kN or less.

Sealed Self Retracting Lifelines

Unparalleled in the industry, this true-seal equipment ensures efficient, safe operation under all working conditions.

Model #	Description	Total Weight
3400803	9m of 5mm galvanised cable, with swivelling impact indicator hook and integral carrying handle	7.0kg
3400804	9m of 5mm stainless steel cable, with swivelling impact indicator hook and integral carrying handle	7.0kg
3400805	9m of 5mm stainless steel cable, with stainless steel swivelling impact indicator hook and integral carrying handle	7.0kg
3400806	9m of 5mm galvanised cable, with triple action karabiners and integral carrying handle	7.0kg
3400001	15m of 5mm galvanised cable, with 9502116 swivel snap hook (formerly 3403400)	13.2kg
3400002	15m of 5mm stainless steel cable, with 9502116 swivel snap hook (formerly 3403401)	13.2kg
3400012	15m of 5mm galvanised cable, with triple action karabiners	13.2kg
3400013	15m of 5mm stainless steel cable, with triple action karabiners	13.2kg
3400201	25m of 5mm galvanised cable, with 9502116 swivel snap hook (formerly 3403500)	19.9kg
3400202	25m of 5mm stainless steel cable, with 9502116 swivel snap hook (formerly 3403501)	19.9kg
3400212	25m of 5mm galvanised cable, with triple action karabiners	19.9kg
3400401	39m of 5mm galvanised cable, with 9502116 swivel snap hook (formerly 3403600)	27.2kg
3400402	39m of 5mm stainless steel cable, with 9502116 swivel snap hook (formerly 3403601)	27.2kg
3400408	39m of 5mm galvanised cable, with triple action karabiners	27.2kg



3400803



3400001

Emergency Retrieval Sealed Self Retracting Lifelines

This sealed man-rated personal fall arrest component incorporates a retrieval winch suitable for raising and lowering personnel in emergency rescue/retrieval situations.

Model #	Description	Total Weight
3400854	9m of 5mm galvanised cable, with swivelling impact indicator hook and integral carrying handle	9.0kg
3400855	9m of 5mm stainless steel cable, with swivelling impact indicator hook and integral carrying handle	9.0kg
3400856	9m of 5mm stainless steel cable, with stainless steel swivelling impact indicator hook and integral carrying handle	9.0kg
3400101	15m of 5mm galvanised cable with swivelling impact indicator hook (formerly 3403402)	16.3kg
3400102	15m of 5mm stainless steel cable with swivelling impact indicator hook (formerly 3403403)	16.3kg
3400301	25m of 5mm galvanised cable with swivelling impact indicator hook (formerly 3403502)	23.6kg
3400302	25m of 5mm stainless steel cable with swivelling impact indicator hook (formerly 3403503)	23.6kg
3400501	39m of 5mm galvanised cable with swivelling impact indicator hook (formerly 3403602)	34.0kg
3400502	39m of 5mm stainless steel cable with swivelling impact indicator hook (formerly 3403603)	34.0kg
3401065	Mounting bracket, to fit 3403402/3400101 to tripod leg	1.6kg
3401123	Mounting bracket, to fit 3403502/3400301 to tripod leg	2.4kg
3401140	Mounting bracket, to fit 3403602/3400501 to tripod leg	2.6kg
3401255	Stabilising handle, for retrieval self retracting lifelines	2.9kg



3400854



3400102



MAN RATED

For raising, lowering or supporting personnel. Working load 204kg. Designed specifically for confined space entry/retrieval.

DIGITAL USAGE INDICATOR

The exclusive "digital usage indicator" system counts the revolutions of the drum to determine service intervals. Additional standard features include a braking system with 3 independent working pawls, centrifugal back-up brake, carrying handle and cable retainer spring.

COMPLIANT HARDWARE

Double locking swivel safety snaps standard on all cables. Sealed bearings at all contact points. All hardware is Zinc plated. All components are zinc-plated steel or anodised aluminium.

TRIPLE REDUNDANT BRAKING MECHANISM

A friction brake is engaged by a minimum of 2kg. Brake pad wear indicator monitors the condition of the braking mechanism, which features an inertial (centrifugal) safety back up brake.

Advanced Digital Series Winches are rated for a maximum working load of 204kg with an 11:1 safety factor. This winch has two cranking speeds capable of retrieval/descent from 4m/min to 9m/min.

Advanced Digital Winches are available in 3 standard sizes. It accommodates various diameters of cables up to 9mm and ropes up to 15.9mm. All cable/rope assemblies come with a double locking swivel snap hook with overload indicator.

Advanced Digital 100 Series 2 Speed Winch w/Removable Handle

This Advanced Digital 100 Series Winch includes a removable aluminium crank handle to utilise both our 9:1 and 4:1 drives. These two drives offer the capability of retrieval/descent at average speeds from 4m/min up to 9m/min.

Model #	Description	Actual Length	Working Length	Total Weight
8518560	Advanced Digital 100 Series Removable Handle, 18m galvanised cable assembly	21.3m	18.0m	13.8kg
8518558	Advanced Digital 100 Series Removable Handle, 18m stainless steel cable assembly	21.3m	18.0m	13.8kg
8518564	Advanced Digital 100 Series Removable Handle, 18m Technora rope assembly	21.3m	18.0m	13.8kg
8518561	Advanced Digital 100 Series Removable Handle, 27m galvanised cable assembly	30.0m	27.0m	14.7kg
8518559	Advanced Digital 100 Series Removable Handle, 27m stainless steel cable assembly	30.0m	27.0m	14.7kg



Advanced Digital 100 Series 2 Speed Winch w/9:1 Power Drive & 4:1 Removable Handle

The Advanced Power Drive Digital Winch features a power drive hub on the 9:1 drive. An overload protection clutch installs between this power drive hub and an electric or pneumatic drill to eliminate overloading the winch during retrieval. This clutch also protects the winch operator and the retrieved worker from injury. The clutch is installed and removed without the use of tools when switching to the 4:1 manual crank option in emergencies. (8512936: Overload Protection Clutch sold separately.)

Model #	Description	Actual Length	Working Length	Total Weight
8518567	Advanced Digital 100 Series Power Drive, 18m galvanised cable assembly	21.3m	18.0m	13.8kg
8518565	Advanced Digital 100 Series Power Drive, 18m stainless steel cable assembly	21.3m	18.0m	13.8kg
8518568	Advanced Digital 100 Series Power Drive, 27m galvanised cable assembly	30.0m	27.0m	14.7kg
8518566	Advanced Digital 100 Series Power Drive, 27m stainless steel cable assembly	30.0m	27.0m	14.7kg
8518571	Advanced Digital 100 Series Power Drive, 18m Technora rope assembly	21.3m	18.0m	12.2kg



Advanced Digital 200 Series 2 Speed Winch w/Removable Handle

This Advanced Digital 200 Series Winch includes a removable aluminium crank handle to utilise both our 9:1 and 4:1 drives. These two drives offer the capability of retrieval/descent at average speeds from 4m/min up to 9m/min.

Model #	Description	Actual Length	Working Length	Total Weight
8518581	Advanced Digital 200 Series Removable Handle, 42m galvanised cable assembly	45.7m	42.0m	18.4kg
8518579	Advanced Digital 200 Series Removable Handle, 42m stainless steel cable assembly	45.7m	42.0m	18.4kg
8518582	Advanced Digital 200 Series Removable Handle, 58m galvanised cable assembly	61.0m	58.0m	13.8kg
8518580	Advanced Digital 200 Series Removable Handle, 58m stainless steel cable assembly	61.0m	58.0m	13.8kg



Advanced Digital 200 Series 2 Speed Winch w/9:1 Power Drive & 4:1 Removable Handle

The Advanced Power Drive Digital Winch features a power drive hub on the 9:1 drive. An overload protection clutch installs between this power drive hub and an electric or pneumatic drill to eliminate overloading the winch during retrieval. This clutch also protects the winch operator and the retrieved worker from injury. The clutch is installed and removed without the use of tools when switching to the 4:1 manual crank option in emergencies. (8512936: Overload Protection Clutch sold separately.)

Model #	Description	Actual Length	Working Length	Total Weight
8518588	Advanced Digital 200 Series Power Drive, 42m galvanised cable assembly	45.7m	42.0m	18.4kg
8518586	Advanced Digital 200 Series Power Drive, 42m stainless steel cable assembly	45.7m	42.0m	18.4kg
8518589	Advanced Digital 200 Series Power Drive, 58m galvanised cable assembly	61.0m	58.0m	13.8kg
8518587	Advanced Digital 200 Series Power Drive, 58m stainless steel cable assembly	61.0m	58.0m	13.8kg



Advanced Digital 300 Series 2 Speed Winch w/Removable Handle

This Advanced Digital 300 Series Winch includes a removable aluminium crank handle to utilise both our 9:1 and 4:1 drives. These two drives offer the capability of retrieval/descent at average speeds from 4m/min up to 9m/min.



Model #	Description	Actual Length	Working Length	Total Weight
8518603	Advanced Digital 300 Series Removable Handle, 73m galvanised cable assembly	76.2m	73.0m	22.6kg
8518601	Advanced Digital 300 Series Removable Handle, 73m stainless steel cable assembly	76.2m	73.0m	22.6kg
8518604	Advanced Digital 300 Series Removable Handle, 88m galvanised cable assembly	91.0m	88.0m	19.5kg
8518602	Advanced Digital 300 Series Removable Handle, 88m stainless steel cable assembly	91.0m	88.0m	19.5kg

Advanced Digital 300 Series 2 Speed Winch w/9:1 Power Drive & 4:1 Removable Handle

The Advanced Power Drive Digital 300 Winch features a power drive hub on the 9:1 drive. An overload protection clutch installs between this power drive hub and an electric or pneumatic drill to eliminate overloading the winch during retrieval. This clutch also protects the winch operator and the retrieved worker from injury. The clutch is installed and removed without the use of tools when switching to the 4:1 manual crank option in emergencies. (8512936: Overload Protection Clutch sold separately.)



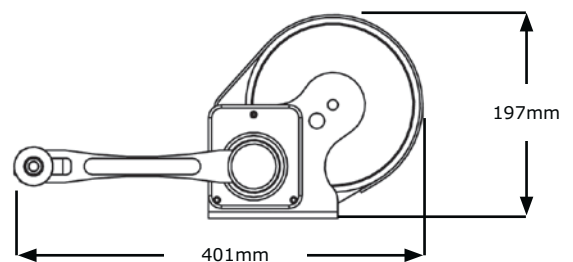
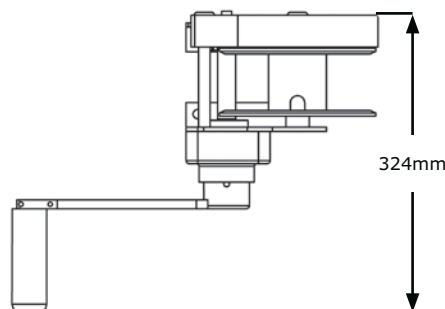
Model #	Description	Actual Length	Working Length	Total Weight
8518610	Advanced Digital 300 Series Power Drive, 73m galvanised cable assembly	76.2m	73.0m	22.6kg
8518608	Advanced Digital 300 Series Power Drive, 73m stainless steel cable assembly	76.2m	73.0m	22.6kg
8518611	Advanced Digital 300 Series Power Drive, 88m galvanised cable assembly	91.0m	88.0m	19.5kg
8518609	Advanced Digital 300 Series Power Drive, 88m stainless steel cable assembly	91.0m	88.0m	19.5kg

Advanced Basic Winch & Accessories

The Advanced Basic Series Winch holds up to 15 m of 5 mm diameter cable/rope. The zinc-plated Basic Series Winch comes with a Load Limiter Clutch to indicate a fall or misuse (requires annual re-certification from Capital Safety). *NOTE: Please remember to order Pt# 8516824 Mounting Bracket when ordering the Basic Series Winches for use with our Advanced Hoists, Davits, Bases & Accessories.*



Model #	Description	Total Weight
8518669	Advanced Zinc Plated Basic Winch, Bolt-on Plate, 12.2m galvanised cable assembly	10kg
8518670	Advanced Zinc Plated Basic Winch, Bolt-on Plate, 12.2m stainless steel cable assembly	10kg
8518671	Advanced Zinc Plated Basic Winch, Bolt-on Plate, 12.2m Technora rope assembly	9kg
8517411	Padded Carrying bag for Basic or Digital Winch, comes with Carrying Handle	0.7kg



Salalift™ II Winches

The Salalift™ II is manually operated for easy operation. Simply rotate the handle to raise or lower personnel or materials. Gear ratio is 6:1 with an average lifting speed of 3.8m/min. No power source is required. The Quick-Mount System incorporates a quick-mount bracket which mates with a bracket on all DBI-SALA support structures allowing the user to attach/detach device with a detent pin to make retrofitting easy (no additional hardware needed).

Model #	Description	Total Weight
8102001	Salalift™ II Winch w/ 18m of 6mm galvanised cable, mounting bracket & winch bag	16.3kg
8102003	Salalift™ II Winch w/ 18m of 6mm stainless steel cable, mounting bracket & winch bag	16.3kg
8102009	Salalift™ II Winch w/ 27m of 5mm galvanised cable, mounting bracket & winch bag	15.8kg
8102011	Salalift™ II Winch w/ 27m of 5mm stainless steel cable, mounting bracket & winch bag	15.8kg
8102005	Salalift™ II Winch w/ 37m of 5mm galvanised cable, mounting bracket & winch bag	16.7kg
8102007	Salalift™ II Winch w/ 37m of 5mm stainless steel cable, mounting bracket & winch bag	16.7kg
8102050	Salalift™ II Winch w/ 15m of synthetic Technora rope and lifeline counterweight, mounting bracket & winch bag	14.9kg



8102001

Winch Brackets & Accessories

Model #	Description
8510207	Winch/SRL adapter with flat back to attach DBI-SALA winch/SRL to structures.
85129360	Overload Protection Clutch features a maximum working load of 204kg.
8516285	Mounting Bracket attaches to winch, mates with 8510207.
8516824	Quick Release Mounting Bracket for Advanced Upper and Lower Masts.
8517411	Padded Carrying Bag for Basic or Digital winch, c/w Carrying Handle.



8510207



85129360



8516285



8516824



8517411