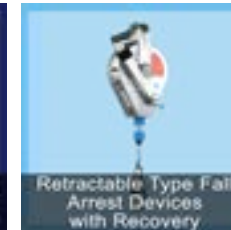


Contents



Retractable Type Fall Arrest Devices

Pages 2 - 4



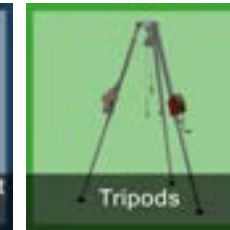
Retractable Type Fall Arrest Devices with Recovery

Page 5



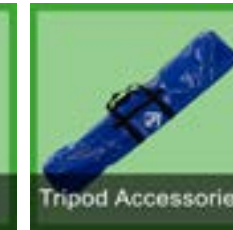
Controlled Descent Devices

Pages 6 - 8



Tripods

Pages 9 - 11



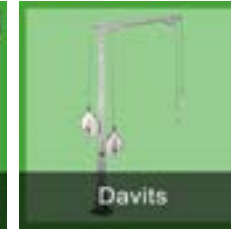
Tripod Accessories

Page 12



Winches

Page 13



Davits

Page 14



Davit Bases, Sleeves & Brackets

Pages 15-16



Other Brackets

Page 17



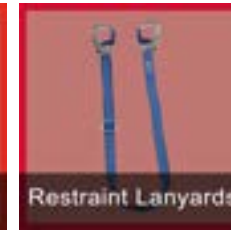
Rescue Harnesses

Pages 18 - 19



Fall Arrest Harnesses

Pages 20 - 23



Restraint Lanyards

Pages 24 - 27



Energy Absorbing Lanyards

Pages 28 - 31



Work Positioning

Page 32



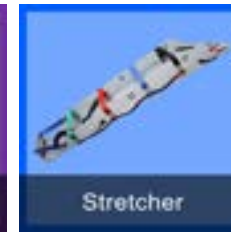
Guided Type Fall Arrest System

Page 33



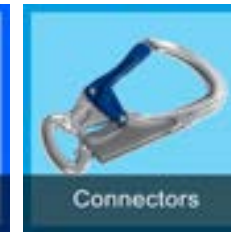
Anchorages

Page 34



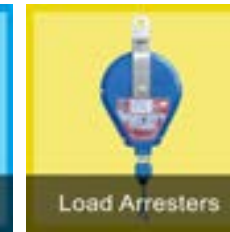
Stretcher

Page 35



Connectors

Pages 36 - 37



Load Arresters

Page 38



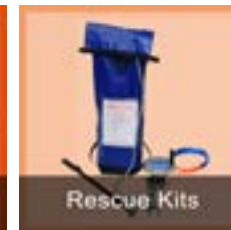
Ropes

Page 39



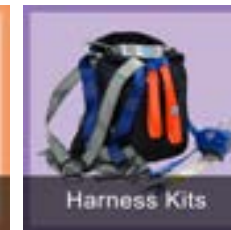
Accessories & Storage

Pages 40 - 41



Rescue Kits

Pages 42 - 43



Harness Kits

Pages 44 - 45



Rope Pulley Systems

Page 46



Information

Pages 47 - 48

HOUSING: Plastic or Aluminium
LIFELINE: Webbing or Galvanised Steel

Sturdy, low maintenance retractable fall arrest devices in a lightweight housing, with a swivel eye attachment point and an aluminium double action hook on the lifeline.

The webbing option has a sewn in load indicator and a fixed eye, aluminium double action hook. The steel cable option has a swivel eye, load indicating, aluminium double action hook.

Swivel eyes help to prevent lifelines and attached lanyards from twisting.

The devices below have been approved for vertical and horizontal work.



Product Code	Lifeline Length	Dimensions	Weight
HWB2	2.0m	240 x 84 x 61 mm	0.8 kg
HWB2.8	2.8m	240 x 84 x 61 mm	1.1 kg
HWB3.5	3.5m	270 x 88 x 64 mm	1.4 kg

Aluminium housing, webbing lifeline with integral load indicator and fixed eye double action aluminium hook.

Product Code	Lifeline Length	Dimensions	Weight
HWS4.5	4.5m	400 x 130 x 78 mm	2.7 kg
HWS6	6.0m	400 x 145 x 80 mm	3.0 kg
HWS9	9.0m	455 x 160 x 85 mm	3.7 kg
HWS12	12.0m	490 x 190 x 95 mm	5.4 kg
HWS18	18.0m	540 x 220 x 97 mm	6.9 kg
HWS24	24.0m	575 x 250 x 97 mm	8.4 kg

Aluminium housing, galvanised steel lifeline with swivel eye double action aluminium hook with load indicator.



Product Code	Lifeline Length	Dimensions	Weight
HWPB3.5	3.5m	326 x 104 x 78 mm	1.2 kg
HWPB5.5	5.5m	300 x 130 x 78 mm	1.5 kg
HWPB7	7.0m	300 x 165 x 80 mm	1.8 kg
HWPB9	9.0m	335 x 168 x 88 mm	2.3 kg
HWPB12	12.0m	370 x 195 x 95 mm	3.4 kg
HWPB15	15.0m	400 x 195 x 95 mm	4.8 kg

Plastic housing, webbing lifeline with integral load indicator and fixed eye double action aluminium hook.

Product Code	Lifeline Length	Dimensions	Weight
HWPS3	3.0m	390 x 104 x 78 mm	1.9 kg
HWPS4.5	4.5m	400 x 130 x 78 mm	2.1 kg
HWPS6	6.0m	420 x 145 x 80 mm	2.5 kg
HWPS9	9.0m	460 x 168 x 88 mm	3.2 kg
HWPS12	12.0m	500 x 195 x 95 mm	4.9 kg
HWPS18	18.0m	540 x 220 x 97 mm	6.3 kg
HWPS24	24.0m	570 x 250 x 97 mm	7.3 kg

Plastic housing, galvanised steel lifeline with swivel eye double action aluminium hook with load indicator.

HOUSING: Plastic or Aluminium
LIFELINE: Webbing or Galvanised Steel

The devices below have been approved for vertical and horizontal work.



Product Code	Lifeline Length	Dimensions	Weight
HPB7	7.0m	370 x 195 x 100 mm	2.9 kg
HPB12	12.0m	550 x 240 x 100 mm	4.4 kg

Plastic housing, webbing lifeline with swivel eye double action aluminium hook with load indicator.

Product Code	Lifeline Length	Dimensions	Weight
HPS6	6.0m	430 x 150 x 91 mm	3.0 kg
HPS12	12.0m	470 x 190 x 114 mm	4.6 kg
HPS18	18.0m	540 x 225 x 96 mm	6.7 kg

Plastic housing, galvanised steel lifeline with an aluminium double action load indicating swivel hook.

Explanation of Device Name Codes:
H = Height Safety Device
W = Swivel Eye Attachment Point
P = Plastic Housing
S = Galvanised Steel Lifeline
B = Webbing Lifeline
Number = Length of the retractable lifeline

Example:
HWB3.5 = Height safety device, with a swivel eye attachment point and a 3.5m webbing lifeline in an aluminium housing.



IKAR fall arrest devices can function in any location position and have been tested in a simulated fall trial, over an edge.

Please visit ikargb.co.uk/edge-testing-videos for more information and to view these trials

Don't forget your attachment connector See Pages 34 - 35

Product Code	Lifeline Length	Dimensions	Weight
H12	12.0m	450 x 195 x 90 mm	5.9 kg
H18	18.0m	550 x 240 x 100 mm	9.5 kg
H24	24.0m	630 x 275 x 110 mm	13.5 kg
H30	33.0m	640 x 320 x 120 mm	18.0 kg
H42	42.0m	750 x 370 x 120 mm	27.2 kg
H65	65.0m	780 x 390 x 150 mm	38.0 kg

Aluminium housing, galvanised steel lifeline with an aluminium double action load indicating swivel hook.

HOUSING: Aluminium
LIFELINE: Webbing



Product Code	Lifeline Length	Dimensions	Weight
HWB1.8DW	1.8m	290 x 170 x 60 mm	1.35kg
Two HWB1.8 devices connected together with a swivel yoke attaches to the rear of the harness.			
The internal energy absorber reduces the arrest forces to less than 3kN per device. The combination of the swivel connector and the integral swivel of the HWB devices allows maximum flexibility.			
Fixed eye, aluminium double action hooks.			



Product Code	Lifeline Length	Dimensions	Weight
HWDB2	2.0m	250 x 165 x 60 mm	1.80kg
Two HWB2 style devices in one lightweight housing with a swivel eye attachment point for 1 person.			
Swivel eye, load indicating, aluminium double action hooks.			



Product Code	Lifeline Length	Dimensions	Weight
ACB1.8	1.8m	240 x 83 x 63 mm	0.96kg
Designed for fall protection in MEWPs (Mobile Elevated Working Platforms).			
Load indicator sewn into the webbing lifeline, tested over a 'double' sharp edge. The internal energy absorber ensure a maximum arresting force of less than 3kN at the anchorage point.			
A connector strap of 400mm from the harness can be attached to the fixed eye, aluminium double action hook.			



Product Code	Lifeline Length	Dimensions	Weight
HWB1.8RDW	1.8m	290 x 170 x 60 mm	2.80kg
Two HWB1.8 devices connected together with a swivel yoke attaches to the rear of the harness.			
The internal energy absorber reduces the arrest forces to less than 3kN per device. The combination of the swivel connector and the integral swivel of the HWB devices allows maximum flexibility.			
Swivel eye, large double action scaffold hooks.			



Product Code	Lifeline Length	Dimensions	Weight
HWDB2STH	2.0m	250 x 165 x 60 mm	2.80kg
Two HWBSTH style devices in one lightweight housing with a swivel eye attachment point for 1 person.			
Swivel eye, large double action scaffold hooks.			



Product Code	Lifeline Length	Dimensions	Weight
IKGB20RL13	2.7m	40 x 115 x 85 mm	1.2kg
Car seat belt style construction with a webbing lifeline and external tear web energy absorber, complete with steel screwgate karabiner on the attachment point and an aluminium double action hook on end of lifeline.			
Designed to be attached to anchorage point or safety harness.			

Don't forget your attachment connector See Pages 34 - 35

HOUSING: Aluminium or Plastic
LIFELINE: Galvanised steel

Fall arrest device with recovery mechanism. Should the user fall and need recovering, the winding handle can be used by a third party to rescue them quickly and safely.

The unit is completely closed and has no wearing parts. All parts are made from stainless steel, aluminium or shockproof plastic. All lifelines come with an aluminium double action hook with load indicator.

Different steel cable lengths ensure that a suitable device is available for every application.

For instances where this device is anchored in an out of reach position, there is an option of a 30m winch chain in place of the winding handle, this is the S30 model (not available for plastic housings).



Product Code	Lifeline Length	Dimensions	Weight
HRA18P	18.0m	620 x 231 x 152 mm	10.3 kg
Plastic housing, galvanised steel cable lifeline with swivel eye load indicating aluminium double action hook.			



Product Code	Lifeline Length	Dimensions	Weight
HRA12	12.0m	450 x 195 x 180 mm	7.0 kg
HRA18	18.0m	570 x 240 x 200 mm	11.5 kg
HRA24	24.0m	630 x 275 x 220 mm	16.0 kg
HRA30	30.0m	640 x 315 x 230 mm	18.5 kg
HRA42	42.0m	740 x 370 x 235 mm	25.5 kg
HRA65	65.0m	780 x 390 x 240 mm	43.0 kg
Aluminium housing, galvanised steel cable lifeline with swivel eye load indicating aluminium double action hook.			



Product Code	Lifeline Length	Dimensions	Weight
HRA12S30	12.0m	450 x 195 x 180 mm	10.0 kg
HRA18S30	18.0m	570 x 240 x 200 mm	14.5 kg
HRA24S30	24.0m	630 x 275 x 220 mm	19.0 kg
HRA33S30	30.0m	640 x 315 x 230 mm	21.5 kg
HRA42S30	42.0m	740 x 370 x 235 mm	28.5 kg
HRA65S30	65.0m	780 x 390 x 240 mm	46.0 kg
Aluminium housing, winch chain, galvanised steel cable lifeline with swivel eye load indicating aluminium double action hook.			

Special steel rope lengths, V2A stainless steel or Dyneema ropes are available on request.

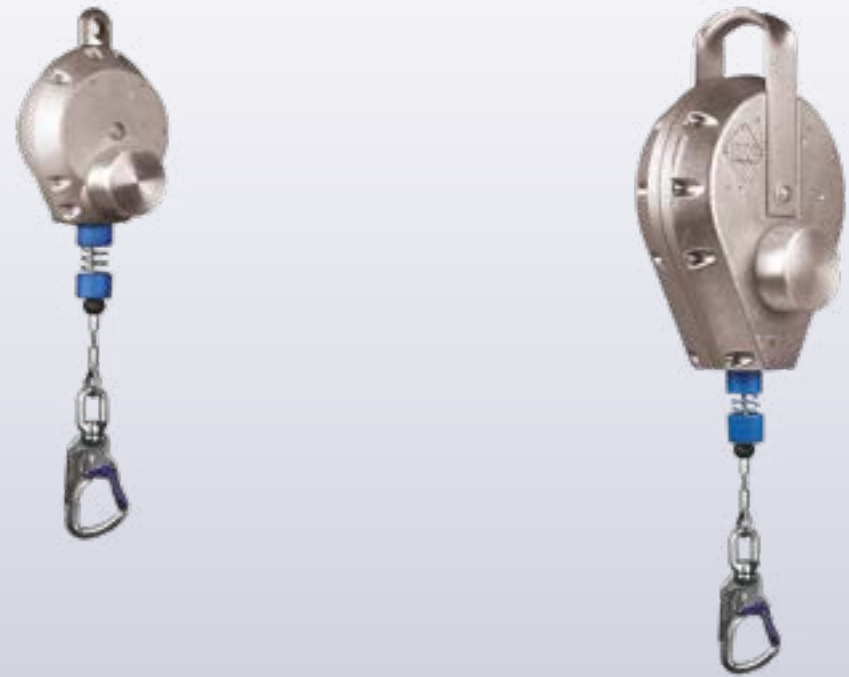
There are optional bracket accessories for devices with a lifeline length of up to 30m, see Page 16

HOUSING: Aluminium
LIFELINE: Galvanised Steel

The IKAR HAS device is a fall arrest device with an integral auto-controlled descent mechanism, designed for persons working at height where a third party rescue is not possible or an escape rescue becomes necessary.

During normal use, the worker can move freely within the working area without resistance. In the case of a fall, the user is safely descended at a controlled speed.

When the fall indicator on the connector is visible, this indicates that the device has been used in a controlled descent and needs to be returned to IKAR GB to be serviced.



Product Code	Lifeline Length	Dimensions	Weight
HAS9	12.0m	455 x 160 x 120 mm	5.0kg
Aluminium housing, galvanised steel cable lifeline with swivel eye anchor attachment point and load indicating aluminium double action hook.			

Nominal Load	136 kg
Proof Load EN 341	170 kg
Static Proof Load	20 kN
Maximum Descent Speed	0.5 m/s
Tested for:	1 person
Steel rope Ø	4.8mm

Product Code	Lifeline Length	Dimensions	Weight
HAS18	18.0m	580 x 232 x 135 mm	11.0kg
HAS30	30.0m	610 x 280 x 140 mm	17.0kg
Aluminium housing, galvanised steel cable lifeline with fixed handle anchor attachment point and load indicating aluminium double action hook.			

V2A stainless steel cable lifelines available on request.

Don't forget your attachment connector See Pages 34 - 35

HOUSING: Aluminium
LIFELINE: Kernmantle Rope Ø10.5mm

The **ABS3aW** and **ABS3aWH** are the ideal devices for self-rescue, multiple evacuations or for training.

Both devices have a centrifugal brake which, during the descent process, keeps the device at a constant speed during the entire descent. The deviation point on the device keeps the descent speed regulated.

The ABS3aWH is the same as the ABS3aW, but also has a rescue hoisting facility which utilises an integrated lifting function with a switchable reverse lock and is therefore the ideal device for third party rescue of persons suspended in their Personal fall protection equipment following an arrested fall.

The switched-on reverse lock acts as a ratchet system to ensure that during a rescue, the casualty will only travel in an upward direction, therefore there is no danger of the casualty falling.

The devices are fitted with a Ø10.5mm kernmantle rope to your required length, with an aluminium, double action, fixed eye hook at each end.



Device Code	Function	Dimensions	Weight
ABS3aW	Descending	160 x 90 x 70 mm	1.2 kg
ABS3aWH	Descending & Hoisting	200 x 200 x 120 mm	1.9 kg
2x Double Action Hooks with 20m Ø10.5mm Kernmantle Rope			410 g
Additional Metres of Rope			70 g/m



Please order the device code and the length (m) of rope required
 e.g. **ABS3aWH30** = Controlled Descent Device with hoisting facility, 30m of kernmantle rope and a double action karabiner at each end.

Nominal Load	140 kg
Minimum Load	50 kg
Proof Load EN 341	175 kg
Static Proof Load	20 kN
5600 Descent Metres with Nominal Load	140 kg
15200 Descent Metres with Minimum Load	50 kg
Maximum Descent Height	200 m
Maximum Descent Speed	1.5 m/s
Tested for 1 Person	
Deviation Points on the Housing of the Device	
Swivel Eye Connection Point with Ball Bearing	
Lifting Performance*	75m
Proof Load EN 1496*	210 kg
Switchable Reverse Lock*	
Lowering / Descending Rope KMS 105 to EN 1896:1998/A	

*ABS3aWH Only

HOUSING: Aluminium**LIFELINE: Kernmantle Rope Ø10.5mm**

The **ABS4W** and **ABS4WH** are an advancement on the ABS3 devices, developed for the self-rescue of **2 persons** simultaneously. The double brake system removes the force on the brakes and minimises the abrasion on the rope.

Both devices have a centrifugal brake which, during the descent process, keeps the device at a constant speed during the entire descent. The deviation point on the device keeps the descent speed regulated.

The ABS4W is the same as the ABS4WH, but also has a rescue hoisting facility which utilises an integrated lifting function with a switchable reverse lock and is therefore the idea device for third party rescue of persons suspended in their Personal fall protection equipment following an arrested fall.

The switched-on reverse lock acts as a ratchet system to ensure that during a rescue, the casualty will only travel in an upward direction, therefore there is no danger of the casualty falling

The devices are fitted with a Ø10.5mm kernmantle rope to your required length, with an aluminium, double action, fixed eye hook at each end.



Device Code	Function	Dimensions	Weight
ABS4W	Descending	250 x 97 x 79 mm	1.7 kg
ABS4WH	Descending & Hoisting	250 x 200 x 128 mm	3.2 kg
2x Double Action Hooks with 20m Ø10.5mm Kernmantle Rope			410 g
Additional Metres of Rope			70 g/m

Please order the device code and the length (m) of rope required
e.g. **ABS4WH30** = Controlled Descent Device with hoisting facility for 2 persons. 30m of kernmantle rope and a double action karabiner at each end.

Nominal Load	200 kg
Minimum Load	70 kg
Proof Load EN 341	250 kg
Proof Load EN 1496	300 kg
Static Proof Load	20 kN
3800 Descent Metres with Nominal Load	200 kg
11000 Descent Metres with Minimum Load	70 kg
Maximum Descent Height	200 m
Maximum Descent Speed	1.5 m/s
Tested for 2 Persons	
Deviation Points on the Housing of the Device	
Swivel Eye Connection Point with Ball Bearing	
Lifting Nominal Load*	200 kg
Lifting Performance*	75m
Switchable Reverse Lock*	
Lowering / Descending Rope KMS 105 to EN 1896:1998/A	

*ABS4WH Only

**IKAR Tripods**

IKAR Tripods are made from aluminium and have adjustable square section legs. They have been specially developed for mobile use in conjunction with the IKAR HRA fall arrest & rescue device (see page 2) and the IKAR load winches (see page 7).

Easily assembled and disassembled in minutes with no loose parts. The individually adjustable legs are advantageous as they can be used on uneven ground.

When the manoeuvring handle of the DB-AR is allowed to rest out, the rubber roller is automatically braked.

High functional stability

High quality and reliability

Load carrying capacity; maximum 2 persons

Height adjustable to almost double (**DB-AR only**)

Foldable rubber feet (**Not on DB-AR**)

For use with IKAR HRA devices up to 42m

Corrosion resistant coating

Two eye bolts in the head of the tripod

Stainless steel leg locking pins

Mountable accessories available

Tripod Bundles

We want to make it easier for you to purchase and use your tripod, and so we have compiled our "tripod bundles" for you.

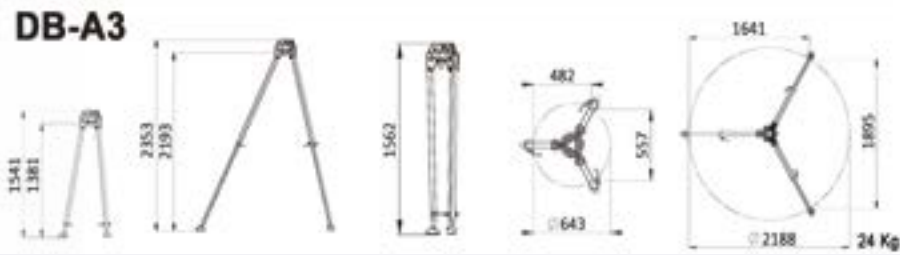
Each bundle contains:

- A DB-A3 or DB-A2 tripod
- Your choice of HRA Rescue Device or Load Winch
- Pulley wheel (DB-A2 Only, Integrated into the DB-A3 Head)
- Karabiner (DB-A2 Only, Integrated into the DB-A3 Head)
- Tripod bracket suitable for your chosen device

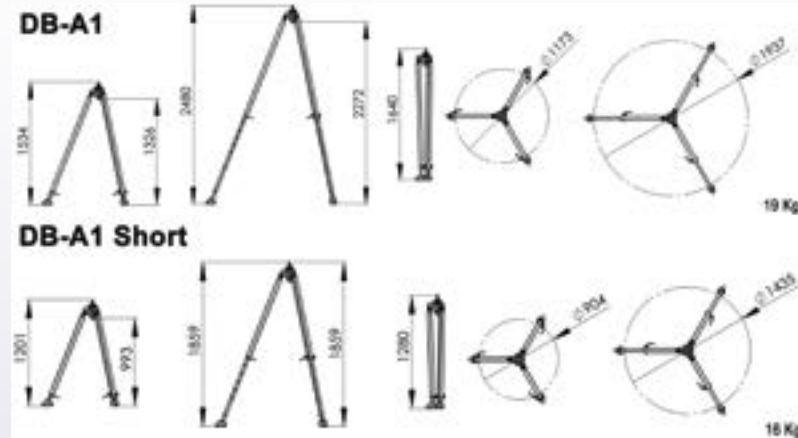


DBA312	DBA3 Tripod Bundle complete with HRA12	35.2 kg
DBA318	DBA3 Tripod Bundle complete with HRA18	38.4 kg
DBA324	DBA3 Tripod Bundle complete with HRA24	42.9 kg
DBA330	DBA3 Tripod Bundle complete with HRA30	45.4 kg
DBA342	DBA3 Tripod Bundle complete with HRA42	56.6 kg
DBA365	DBA3 Tripod Bundle complete with HRA65 (<i>Special Order</i>)	74.1 kg
DBA3TLW	DBA3 Tripod Bundle complete with ALKO901 Load Winch	34.1 kg
DBA3PLWT	DBA3 Tripod Bundle complete with PLW Personnel & Load Winch	45.6 kg

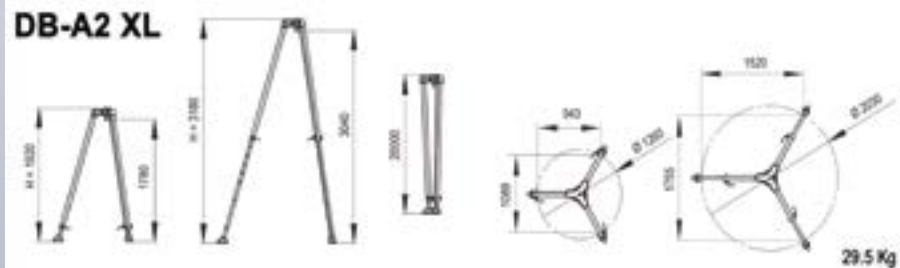
DBA212	DBA2 Tripod Bundle complete with HRA12	30.2 kg
DBA218	DBA2 Tripod Bundle complete with HRA18	33.4 kg
DBA224	DBA2 Tripod Bundle complete with HRA24	37.9 kg
DBA230	DBA2 Tripod Bundle complete with HRA30	40.4 kg
DBA242	DBA2 Tripod Bundle complete with HRA42	51.6 kg
DBA265	DBA2 Tripod Bundle complete with HRA65 (<i>Special Order</i>)	69.1 kg
DBA2TLW	DBA2 Tripod Bundle complete with ALKO901 Load Winch	29.1 kg
DBA2PLWT	DBA2 Tripod Bundle complete with PLW Personnel & Load Winch	40.6 kg



DB-A3
3 Person capacity tripod



DB-A1 / DB-A1 Short
Central lock down 'crown' nut to securely lock the leg into position



DB-A2 / DB-A2 XL
Our standard and most popular tripod
XL is an extended version



DB-AR
Manoeuvring handle with automatic brake system
Castors on legs for easy tripod movement



Tripod Brackets & Accessories

Along with the HRA devices (see Page 5), we offer a range accessories that are fully compatible with our Tripods collection:

- Brackets for mounting HRA devices
- Personnel and Load Winch
- Brackets for mounting our winches
- Pulley wheel and karabiner
- PVC carry bag

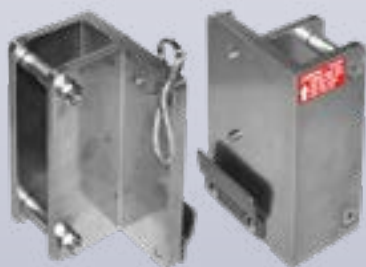
We can also supply a range of brackets for other applications and for our Davit range. Please see page 15.



Product Code	Description	Weight
41-Z20	Pulley & Karabiner	1.1 kg
Stable, smooth running deflection roller for 6mm steel cable, rust-proof and corrosion-resistant, with steel twist lock karabiner (IKV13) to EN362:2004/B & EN12278		



Product Code	Description	Weight
41-54/9.5-30	HRA Tripod Bracket	1.8 kg
For mounting our HRAs (under 60m) to our tripods		



Product Code	Description	Weight
41-54DWS	Winch Bracket	2.0 kg
For mounting our winches to our tripods		



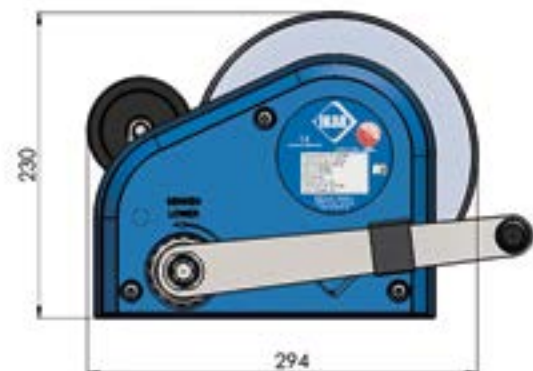
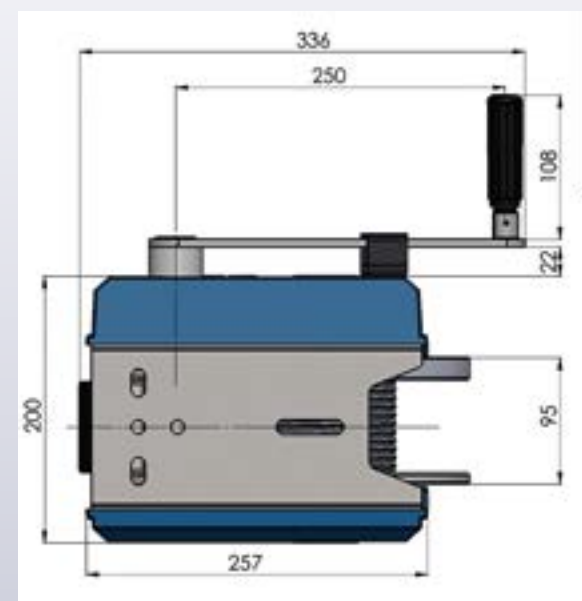
Product Code	Description	Weight
41-54/D62	HRA (60m+) Tripod Bracket	6.0 kg
For mounting our HRAs (over 60m) to our tripods		



Product Code	Description	Weight
IKGBTB	Tripod Bag	1.6 kg
Heavy duty PVC tripod carry bag with full length zip and webbing carry handles		

Winches

Product Code	Description	Weight
PLWT	Personnel & Load Winch for Tripods	16.1 kg
PLWD	Personnel & Load Winch for Davits	16.1 kg
30m winch designed for lifting personnel or loads, fits all IKAR Tripods and Davits SWL 300 Kg		



Product Code	Description	Weight
ALKO901T	Load (only) Winch for Tripods	7.0 kg
ALKO901D	Load (only) Winch for Davits	7.0 kg
20m winch designed for lifting loads, fits all IKAR tripods and Davits SWL 250 kg		

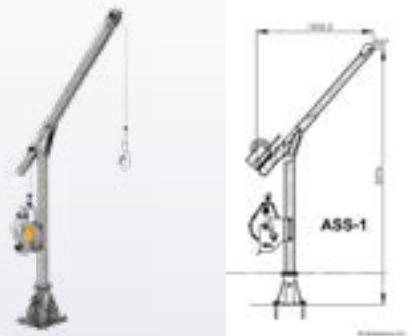


All dimensions in mm

Davit / Cantilever Arms

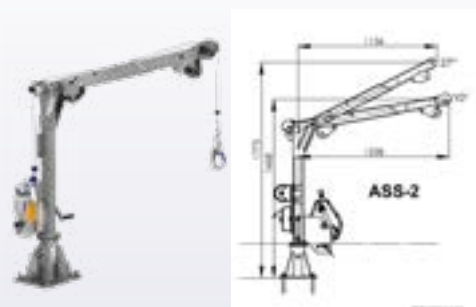
The IKAR Davit Arm range has been developed to use with the IKAR HRA Rescue Device and/or one of the IKAR Winches.

The Davit itself is made from V4A stainless steel, is mobile and can be released from the variety of available bases or sleeves quickly and installed in another location.



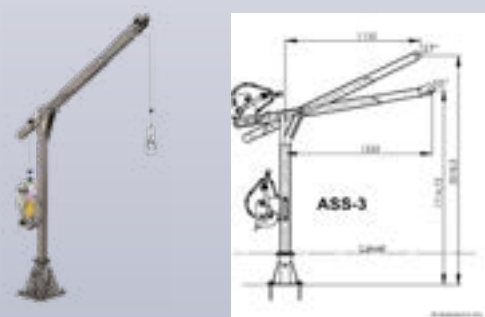
Davit Type	Arm Angle	Height	Reach
ASS-1	50°	2276 mm	1036 mm

Product Code	Description	Weight
41-57	Davit with permanent arm	29.0 kg
Developed for stationary use in safety and rescue cases for two persons as well as for lifting and lowering loads		



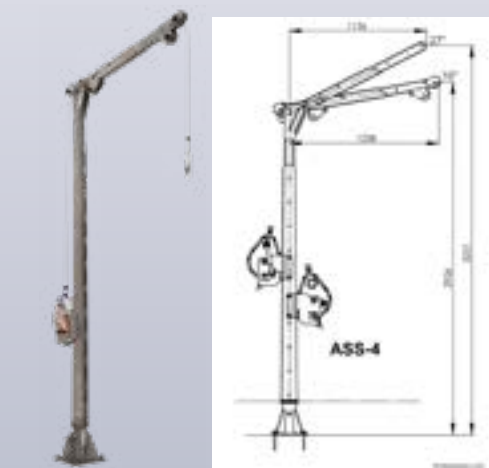
Davit Type	Arm Angle	Height	Reach
ASS-2	10°	1468 mm	1238 mm
	27°	1773 mm	1136 mm

Product Code	Description	Weight
41-59	Davit with removeable arm	39.0 kg
Developed for stationary use in safety and rescue cases for two persons as well as for lifting and lowering loads		



Davit Type	Arm Angle	Height	Reach
ASS-3	10°	1714.73 mm	1233 mm
	27°	2018.5 mm	1132 mm

Product Code	Description	Weight
41-60	Davit with removeable arm	42.0 kg
Developed for stationary use in safety and rescue cases for two persons as well as for lifting and lowering loads		



Davit Type	Arm Angle	Height	Reach
ASS-4	10°	3231 mm	1238 mm
	27°	2926 mm	1136 mm

Product Code	Description	Weight
41-62	Davit with permanent arm	65.0 kg
Developed for stationary use in safety and rescue cases for two persons as well as for lifting and lowering loads		

All dimensions in mm

Davit Bases and Sleeves

We offer a number of options when it comes to installing your selected Davit Arm.

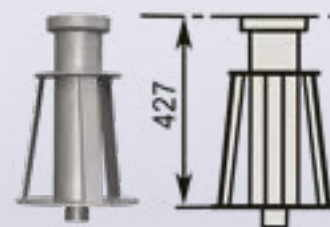
All of our base plates and davit mounting brackets are made of stainless steel.



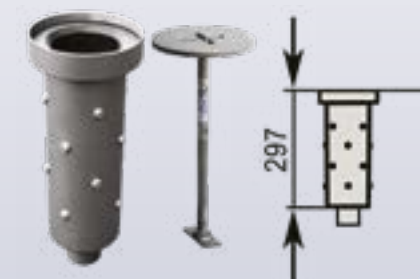
Product Code	Description	Weight
41-57/1	Davit Ground Sleeve	12.0 kg
To be installed flush onto the ground		



Product Code	Description	Weight
41-57/2	Davit Wall Sleeve	12.0 kg
To be installed flush onto a wall		



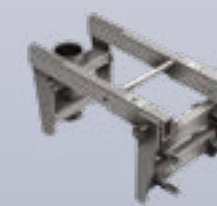
Product Code	Description	Weight
41-57/3	Davit Lower Ground Sleeve	12.0 kg
To be installed to rebar before pouring concrete		



Product Code	Description	Weight
41-57/5	Davit Lower Ground Sleeve	4.6 kg
To be installed to existing concrete by core-drilling and resin fix		

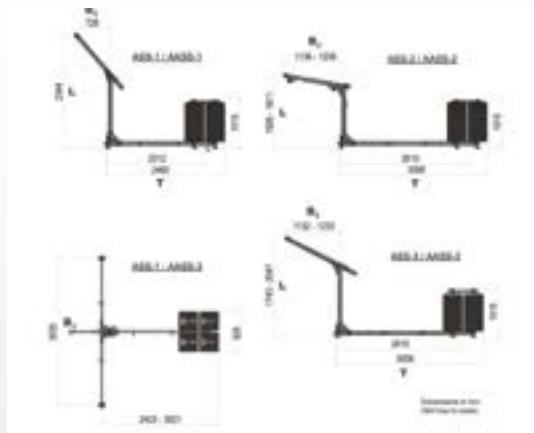


Product Code	Description	Weight
41-67	Davit Mobile Ground Sleeve	12.0 kg
For portable installations to ASS-1 only		



Product Code	Description	Weight
41-69	Mobile Bund Wall Clamp	35 kg
Designed to sit on the top of a concrete bund wall 200mm - 400mm to ASS-1 only		

All dimensions in mm



Product Code	Description	Weight
41-68	Counterweight Base Unit	136.0 kg
For use with ASS-1, ASS-2 & ASS-3 Counterweights 560 kg		

IKAR stainless steel brackets are designed to fit IKAR recovery devices to IKAR Davits. The brackets bolt directly onto the davits and come complete with fixings and stainless steel fixing pin for the device.

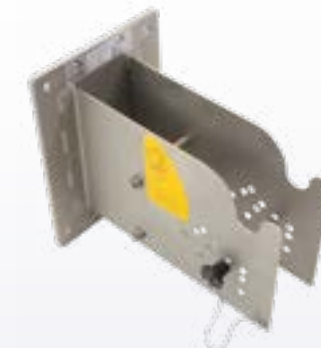
To Fit on Davit Post			
Product Code	Davit Models	HRA Length	Weight
41-54/A9.5-24	ASS-1, ASS-2 & ASS-3	9.5m - 24m	3.5 kg
41-54/A33-42		30m - 42m	5.0 kg
41-54/A50-65		50m - 65m	6.0 kg
41-54/4A9.5-24	ASS-4	9.5m - 24m	3.5 kg
41-54/4A33-42		30m - 42m	5.0 kg
41-54/4A50-65		50m - 65m	6.0 kg

To Fit on Davit Arm			
Product Code	Davit Models	HRA Length	Weight
41-54/AL9.5-24	ASS-1 & ASS-3	9.5m - 24m	3.5 kg
41-54/AL33-42		30m - 42m	5.0 kg
41-54/AL50-65		50m - 65m	6.0 kg

To Fit on Davit Arm			
Product Code	Davit Models	Device	Weight
41-54/AWS	All	PLWD Winch	2.4 kg
41-54/HLW	ASS-4	HRA	2.6 kg



Product Code	Description	Weight
41-54/WHG	HRA to Wall Bracket	11.8 kg
Stainless steel bracket for fitting a HRA device directly to a wall. This bracket comes complete with resin fixings and stainless fixing pin.		



Our IKGBMB Bracket range is made of aluminium and designed to clamp an IKAR HRA device to a specific type of leg or tube. The HRA device bolts directly onto the bracket.



Product Code	Weight
IKGBMB1	3.3 kg
Clamps to a tubular legged tripod	

Product Code	Weight
IKGBMB2	2.4 kg
Clamps to a 50 x 50mm box legged tripod	
IKGBMB3	2.5 kg
Clamps to a 50 x 90mm box legged tripod	



Product Code	Weight
IKGBMB4	4.0 kg
Clamps to a scaffold tube	

Product Code	Weight
IKGBMB5	3.1 kg
Clamps to a 50 x 50mm box section	
IKGBMB6	2.9 kg
Clamps to a 50 x 90mm box section	

Single Point Rescue Harnesses

Our single point rescue harnesses have one attachment point in the form of a rear dorsal D ring and an overhead rescue attachment.

Manufactured in Germany using 45mm polyester webbing with anti-corrosive plated steel fittings.

Also available in smaller and larger versions on request, however the standard size usually fits most people. Please see Page 19 for our Harness Sizing Guide.



Product Code	Feature	Weight
IKG1AR	Push Through Buckles (A)	1.55 kg
Shoulder adjustment via sprung-loaded floating bar buckles Adjustments on leg loops, chest strap and shoulder straps SWL 136Kg		

Product Code	Feature	Weight
IKG1BR	Quick Release Buckles (B)	1.70 kg
Shoulder adjustment via sprung-loaded floating bar buckles Adjustments on leg loops, chest strap and shoulder straps SWL 136Kg		



A Type Buckle



B Type Buckle



Overhead Rescue Attachment

The factory fitted overhead rescue attachment supplied with all IKAR rescue harnesses is tested to EN1497:2007, to give an over-the-head rescue attachment point for use in confined space or near to vertical applications where there is restricted space.

The IKAR overhead rescue attachment has also been tested to EN361:2002 as a fall arrest attachment point.

Two Point Rescue Harnesses

Our two point rescue harnesses have one attachment point in the form of a rear dorsal D ring, a second D ring on the front chest strap and an overhead rescue attachment.

Manufactured in Germany using 45mm polyester webbing with anti-corrosive plated steel fittings.

Also available in smaller and larger versions on request, however the standard size usually fits most people. Please see Page 19 for our Harness Sizing Guide.



Product Code	Feature	Weight
IKG2AR	Push Through Buckles (A)	1.55 kg
IKG2ARJFS	IKG2AR with PVC/Foam Jacket	1.65 kg
IKG2ARJPS	IKG2AR with PVC Jacket	1.65 kg
Shoulder adjustment via sprung-loaded floating bar buckles Adjustments on leg loops, chest strap and shoulder straps SWL 136Kg		

Product Code	Feature	Weight
IKG2BR	Quick Release Buckles (B)	1.70 kg
IKG2BRJFS	IKG2BR with PVC/Foam Jacket	1.80 kg
IKG2BRJPS	IKG2BR with PVC Jacket	1.80 kg
Shoulder adjustment via sprung-loaded floating bar buckles Adjustments on leg loops, chest strap and shoulder straps SWL 136Kg		



A Type Buckle



B Type Buckle



Rear view of the jacket fitted to a harness

Harness Jackets

JFS = Integral PVC outer and foam lined waistcoat, to aid donning and increase wearer comfort.

JPS = Integral PVC outer and lined waistcoat, to aid donning and increase wearer comfort.

Standard Harnesses Fit								
Height	Chest	Waist	Weight	Height	Chest	Waist	Weight	Fit
5' 5"	37"	37"	85st 7lb	1.66m	92cm	92cm	54Kg	✓
5' 7"	40"	38"	115st 7lb	1.69m	98cm	94cm	73Kg	✓
5' 8"	38"	36"	125st 2lb	1.73m	94cm	90cm	77Kg	✓
5' 9"	42"	42"	135st 3lb	1.75m	106cm	106cm	84Kg	✓
5' 9"	40"	38"	125st 3lb	1.76m	100cm	94cm	77.5Kg	✓
5' 9"	42"	39"	145st 9lb	1.76m	104cm	98cm	93Kg	✓
5; 10"	42"	42"	145st 2lb	1.77m	106cm	104cm	90Kg	✓
5; 10"	46"	43"	155st 12lb	1.78m	114cm	108cm	101Kg	✓
5' 11"	38"	38"	115st 11lb	1.79m	96cm	96cm	75Kg	✓
5' 11"	36"	34"	115st 7lb	1.8m	90cm	86cm	73Kg	✓
5' 11"	40"	38"	125st 11lb	1.8m	100cm	96cm	81Kg	✓
5' 11"	42"	40"	135st 9lb	1.8m	106cm	100cm	83Kg	✓
5' 11"	45"	46"	155st 12lb	1.8m	112cm	114cm	101Kg	✓
5' 11"	40"	36"	125st 12lb	1.82m	100cm	90cm	82Kg	✓
5' 11"	51"	49"	185st 2lb	1.82m	128cm	122cm	115Kg	✓
6' 0"	40"	40"	115st 5lb	1.84m	100cm	100cm	72Kg	✓
6' 1"	39"	37"	125st 2lb	1.86m	96cm	92cm	77Kg	✓
6' 2"	39"	36"	115st 7lb	1.87m	96cm	90cm	73Kg	✓
6' 2"	44"	42"	135st 5lb	1.87m	110cm	106cm	95Kg	✓
6' 4"	52"	50"	195st 10lb	1.93m	130cm	126cm	125Kg	✓
6' 5"	45"	44"	185st 2lb	1.96m	112cm	110cm	115Kg	✓

Sizing Guide Statement

All IKAR Safety Harnesses are manufactured to a "standard" size with adjustment in the leg loops, chest strap and shoulder straps. (The IKG1 does not have shoulder adjustment).

As a guide, our "standard" harness size can normally be adjusted to fit an individual from 65-130kg, however depending on their bodily proportions, there may be exceptions.

Due to the nature of the design and construction of IKAR Safety Harnesses, it is not possible to give exact "TO FIT" guides. The individual's height, chest and thigh dimensions, more importantly than their weight, will affect their ability to fit and adjust the harness correctly.

In extensive field trials the IKAR "standard" harness size has shown to adjust to fit 99% of wearers, however in the exceptional cases where it does not, we can manufacture small, extra large or special bespoke versions to fit an individual. Please contact us for details.

If you feel you need a larger size than our standard then you can request a "BB" (Big Boy) Harness. All of our harness can be made as BBs at a small extra cost, however there will be a delay in delivery as these will be made to order in our sewing factory in Germany. The same goes for a smaller than standard harness, simply request a "SB" (Small Boy) Harness.

Our single point fall arrest harnesses have one attachment point in the form of a rear dorsal D ring.

Manufactured in Germany using 45mm polyester webbing with anti-corrosive plated steel fittings.

Also available in smaller and larger versions on request, however the standard size usually fits most people. Please see Page 19 for our Harness Sizing Guide.



Product Code	Feature	Weight
IKG1	Push Through Buckles (A)	0.95 kg
Adjustments on leg loops and chest strap SWL 136Kg		



Product Code	Feature	Weight
IKG1A	Push Through Buckles (A)	1.35 kg
Shoulder adjustment via sprung-loaded floating bar buckles Adjustments on leg loops, chest strap and shoulder straps SWL 136Kg		

Product Code	Feature	Weight
IKG1B	Quick Release Buckles (B)	1.50 kg
Shoulder adjustment via sprung-loaded floating bar buckles Adjustments on leg loops, chest strap and shoulder straps SWL 136Kg		



A Type Buckle



B Type Buckle

Two Point Fall Arrest Harnesses

Our two point fall arrest harnesses have one attachment point in the form of a rear dorsal D ring, a second D ring on the front chest strap and an overhead rescue attachment.

Manufactured in Germany using 45mm polyester webbing with anti-corrosive plated steel fittings.

Also available in smaller and larger versions on request, however the standard size usually fits most people. Please see Page 19 for our Harness Sizing Guide.



Product Code	Feature	Weight
IKG2A	Push Through Buckles (A)	1.35 kg
IKG2AJF	IKG2A with PVC/Foam Jacket	1.45 kg
IKG2AJP	IKG2A with PVC Jacket	1.45 kg
Shoulder adjustment via sprung-loaded floating bar buckles Adjustments on leg loops, chest strap and shoulder straps SWL 136Kg		

Product Code	Feature	Weight
IKG2B	Quick Release Buckles (B)	1.50 kg
IKG2BJF	IKG2B with PVC/Foam Jacket	1.60 kg
IKG2BJP	IKG2B with PVC Jacket	1.60 kg
Shoulder adjustment via sprung-loaded floating bar buckles Adjustments on leg loops, chest strap and shoulder straps SWL 136Kg		



A Type Buckle



B Type Buckle



PVC and Foam jackets fitted to a harness

Harness Jackets

JF = Integral PVC outer and foam lined waistcoat, to aid donning and increase wearer comfort.

JP = Integral PVC outer and lined waistcoat, to aid donning and increase wearer comfort.

Two Point Fall Arrest Harnesses

Harness Waistbelts

W = Integral PVC outer and foam lined work positioning waistbelt with D Rings on each hip



Product Code	Feature	Weight
IKG2AW	Push Through Buckles (A)	2.10 kg
Shoulder adjustment via sprung-loaded floating bar buckles Adjustments on leg loops, chest strap and shoulder straps SWL 136Kg		

Product Code	Feature	Weight
IKG2BW	Quick Release Buckles (B)	2.25 kg
Shoulder adjustment via sprung-loaded floating bar buckles Adjustments on leg loops, chest strap and shoulder straps SWL 136Kg		



A Type Buckle



B Type Buckle



C Type Loops

Product Code	Features	Weight
IKG2C	Two Point Quick Release Harness	1.50 kg
Rear D ring and front attachment loops Quick release buckles (B) on leg loops Shoulder adjustment via sprung-loaded floating bar buckles Adjustments on leg loops and shoulder straps SWL 136Kg		

We stock an extensive range of lanyards for all applications
 We can also custom make lanyards to your specification in our sewing factory in Fulda, Germany.

Our product codes may at first appear to be complicated, but they are constructed to make up a picture of the lanyard you require.

- IK** = IKAR
- Number** = Connector Code on End 1 (e.g. 13 = IKV13)
- F** = Fall Arrest Pack - Always on End 1 (optional, omitted if not required)
- B** = Lifeline Type (B = Webbing K = Kernmantle Rope)
- Number** = Length of Lifeline (cm)
- Y** = "Y" or "Twin" Legged (optional, omitted if not required)
- A** = Adjuster Buckle (optional, omitted if not required)
- Number** = Connector Code on End 2 (e.g. 3 = IKV03)

Examples:

IK 13 B 150 3

- 1 **IK** = IKAR
- 2 **13** = Connector Code on End 1 (IKV13)
- 3 **B** = Lifeline Type (Webbing)
- 4 **150** = Length of Lifeline (150cm)
- 5 **3** = Connector Code on End 2 (IKV03)



IK 13 K 100 A 3

- 1 **IK** = IKAR
- 2 **13** = Connector Code on End 1 (IKV13)
- 3 **K** = Lifeline Type (Kernmantle Rope)
- 4 **100** = Length of Lifeline (100cm)
- 5 **A** = Adjuster Buckle
- 6 **3** = Connector Code on End 2 (IKV03)



IK 13 FB 175 A 3

- 1 **IK** = IKAR
- 2 **13** = Connector Code on End 1 (IKV13)
- 3 **F** = Fall Arrest Pack
- 4 **B** = Lifeline Type (Webbing)
- 5 **175** = Length of Lifeline (175cm)
- 6 **A** = Adjuster Buckle
- 7 **3** = Connector Code on End 2 (IKV03)



Fixed Length and Adjustable Restraint Lanyards Webbing

25mm webbing restraint lanyards made to a standard fixed length without an adjuster buckle conform to EN354 & EN358, with an adjuster buckle they conform only to EN 358.

Custom lengths are made to your specification in our sewing factory in Fulda, Germany.

See page 23 for an explanation of how our order codes work



Lifeline	Product Code	Weight	Product Code	Weight
1.00m	IK13B10013	0.30 kg	IK13B1003	0.50 kg
1.25m	IK13B12513	0.35 kg	IK13B1253	0.55 kg
1.50m	IK13B15013	0.45 kg	IK13B1503	0.65 kg
1.75m	IK13B17513	0.50 kg	IK13B1753	0.70 kg
2.00m	IK13B20013	0.55 kg	IK13B2003	0.75 kg

Webbing restraint lanyards with an IKV13 connector on one end and either another IKV13 connector or an IKV3 connector on the other end

Lifeline	Product Code	Weight	Product Code	Weight
1.00m	IK2B1002	0.25 kg	IK2B1003	0.45 kg
1.25m	IK2B1252	0.30 kg	IK2B1253	0.50 kg
1.50m	IK2B1502	0.35 kg	IK2B1503	0.55 kg
1.75m	IK2B1752	0.40 kg	IK2B1753	0.60 kg
2.00m	IK2B2002	0.45 kg	IK2B2003	0.65 kg

Webbing restraint lanyards with an IKV2 connector on one end and either another IKV2 connector or an IKV3 connector on the other end



Lifeline	Product Code	Weight	Product Code	Weight
1.50m	IK13B150A13	0.50 kg	IK13B150A3	0.70 kg
2.00m	IK13B200A13	0.70 kg	IK13B200A3	0.90 kg

Adjustable webbing restraint lanyards with an IKV13 connector on one end and either another IKV13 connector or an IKV3 connector on the other end



Lifeline	Product Code	Weight	Product Code	Weight
1.50m	IK2B150A2	0.40 kg	IK2B150A3	0.60 kg
2.00m	IK2B200A2	0.50 kg	IK2B200A3	0.70 kg

Adjustable webbing restraint lanyards with an IKV2 connector on one end and either another IKV2 connector or an IKV3 connector on the other end

Fixed Length and Adjustable Restraint Lanyards

Kernmantle Rope

11mm kernmantle rope restraint lanyards made to a standard fixed length without an adjuster buckle conform to EN354 & EN358, with an adjuster buckle they conform only to EN 358.

Custom lengths are made to your specification in our sewing factory in Fulda, Germany.

See page 23 for an explanation of how our order codes work



Lifeline	Product Code	Weight	Product Code	Weight
1.00m	IK13K10013	0.50 kg	IK13K1003	0.70 kg
1.25m	IK13K12513	0.55 kg	IK13K1253	0.75 kg
1.50m	IK13K15013	0.60 kg	IK13K1503	0.80 kg
1.75m	IK13K17513	0.65 kg	IK13K1753	0.85 kg
2.00m	IK13K20013	0.70 kg	IK13K2003	0.90 kg

Kernmantle rope restraint lanyards with an IKV13 connector on one end and either another IKV13 connector or an IKV3 connector on the other end

Lifeline	Product Code	Weight	Product Code	Weight
1.00m	IK2K1002	0.30 kg	IK2K1003	0.50 kg
1.25m	IK2K1252	0.35 kg	IK2K1253	0.55 kg
1.50m	IK2K1502	0.40 kg	IK2K1503	0.60 kg
1.75m	IK2K1752	0.45 kg	IK2K1753	0.65 kg
2.00m	IK2K2002	0.50 kg	IK2K2003	0.70 kg

Kernmantle rope restraint lanyards with an IKV2 connector on one end and either another IKV2 connector or an IKV3 connector on the other end



Lifeline	Product Code	Weight	Product Code	Weight
1.50m	IK13K150A13	0.55 kg	IK13K150A3	0.75 kg
2.00m	IK13K200A13	0.75 kg	IK13K200A3	0.95 kg

Adjustable kernmantle rope restraint lanyards with an IKV13 connector on one end and either another IKV13 connector or an IKV3 connector on the other end

Lifeline	Product Code	Weight	Product Code	Weight
1.50m	IK2K150A2	0.45 kg	IK2K150A3	0.65 kg
2.00m	IK2K200A2	0.55 kg	IK2K200A3	0.75 kg

Adjustable kernmantle rope restraint lanyards with an IKV2 connector on one end and either another IKV2 connector or an IKV3 connector on the other end

Special Application Restraint Lanyards

Webbing

25mm webbing restraint lanyards made to a standard fixed length conforming to EN354.



Webbing Loop

Lifeline	Product Code	Weight
0.10m	IKB10	0.05 kg

Designed to offer a "soft" link between a safety harness and a rope system



Ladder Restraint Lanyard

Lifeline	Product Code	Weight
0.50m	IK2B503	0.70 kg

Aluminium double action hook and large aluminium double action hook



Connector Strop Lanyard

Lifeline	Product Code	Weight
0.50m	IK13B50	0.20 kg

Designed to aid the connection between a safety harness and a retractable fall arrest device



Ladder Restraint Lanyard

Lifeline	Product Code	Weight
0.50m	IK13B503	0.50 kg

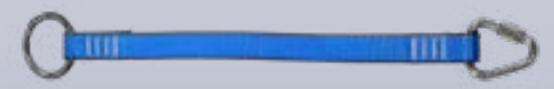
Steel screwgate karabiner and large aluminium double action hook



Connector Strop Lanyard

Lifeline	Product Code	Weight
0.50m	IK1B50	0.15 kg

Designed to aid the connection between a safety harness and a retractable fall arrest device



Connector Strop Lanyard

Lifeline	Product Code	Weight
0.50m	IK1B50R	0.20 kg

Designed to aid the connection between a safety harness and a retractable fall arrest device

Energy Absorbing Lanyards Webbing

25mm webbing energy absorbing lanyards made to a standard fixed length with or without an adjuster buckle conform to EN355.

Custom lengths are made to your specification in our sewing factory in Fulda, Germany.

See page 23 for an explanation of how our order codes work



Lifeline	Product Code	Weight	Product Code	Weight
1.00m	IK13FB10013	0.45 kg	IK13FB1003	0.65 kg
1.25m	IK13FB12513	0.50 kg	IK13FB1253	0.70 kg
1.50m	IK13FB15013	0.55 kg	IK13FB1503	0.75 kg
1.75m	IK13FB17513	0.60 kg	IK13FB1753	0.80 kg
2.00m	IK13FB20013	0.65 kg	IK13FB2003	0.85 kg

Webbing lanyards with energy absorbing pack, an IKV13 connector on one end and either another IKV13 connector or an IKV3 connector on the other end

Lifeline	Product Code	Weight	Product Code	Weight
1.00m	IK1FB1002	0.40 kg	IK1FB1003	0.75 kg
1.25m	IK1FB1252	0.45 kg	IK1FB1253	0.80 kg
1.50m	IK1FB1502	0.50 kg	IK1FB1503	0.85 kg
1.75m	IK1FB1752	0.55 kg	IK1FB1753	0.90 kg
2.00m	IK1FB2002	0.60 kg	IK1FB2003	0.95 kg

Webbing lanyards with energy absorbing pack, an IKV1 connector on one end and either another IKV2 connector or an IKV3 connector on the other end



Lifeline	Product Code	Weight
2.00m	IK13FB200A13	1.10 kg

Adjustable webbing lanyard with energy absorbing pack and an IKV13 connector on each end

Lifeline	Product Code	Weight
2.00m	IK13FB200A3	1.30 kg

Adjustable webbing lanyard with energy absorbing pack, an IKV13 connector on one end and an IKV3 connector on the other end

Fixed Length and Adjustable Energy Absorbing Twin Legged Lanyards Webbing

25mm webbing energy absorbing lanyards with twin legs, made to a standard length with or without adjuster buckles conform to EN355 & BSEN8513. **Custom lengths are made to your specification in our sewing factory in Fulda, Germany.**

Our product codes may at first appear to be complicated, but they are constructed to make up a picture of the lanyard you require.



Lifeline	Product Code	Weight	Product Code	Weight
1.00m	IK13FB100Y13	0.95 kg	IK13FB100Y3	1.45 kg
1.25m	IK13FB125Y13	1.00 kg	IK13FB125Y3	1.50 kg
1.50m	IK13FB150Y13	1.05 kg	IK13FB150Y3	1.55 kg
1.75m	IK13FB175Y13	1.10 kg	IK13FB175Y3	1.60 kg
2.00m	IK13FB200Y13	1.15 kg		

Twin legged webbing lanyards with energy absorbing pack, an IKV13 connector on one end and either IKV13 connectors or IKV3 connectors on the tail ends

Lifeline	Product Code	Weight	Product Code	Weight
1.00m	IK1FB100Y2	0.75 kg	IK1FB100Y3	1.40 kg
1.25m	IK1FB125Y2	0.80 kg	IK1FB125Y3	1.45 kg
1.50m	IK1FB150Y2	0.85 kg	IK1FB150Y3	1.50 kg
1.75m	IK1FB175Y2	0.90 kg	IK1FB175Y3	1.55 kg
2.00m	IK1FB200Y2	0.95 kg	IK1FB200Y3	1.60 kg

Twin legged webbing lanyards with energy absorbing pack, an IKV1 connector on one end and either IKV13 connectors or IKV3 connectors on the tail ends



Lifeline	Product Code	Weight
2.00m	IK13FB200YA13	2.05 kg
2.00m	IK13FB200YA3	2.45 kg

Adjustable twin legged webbing lanyards with energy absorbing pack, an IKV13 connector on one end and either IKV13 connectors or IKV3 connectors on the tail ends

Fixed Length Energy Absorbing Lanyards Kernmantle Rope and Galvanised Steelrope

11mm kernmantle rope and 4.5mm galvanised steelrope energy absorbing lanyards made to a standard fixed length conform to EN355. **Custom lengths are made to your specification in our sewing factory in Fulda, Germany.**

Our product codes may at first appear to be complicated, but they are constructed to make up a picture of the lanyard you require.



Lifeline	Product Code	Weight	Product Code	Weight
1.00m	IK13FK10013	0.55 kg	IK13FK1003	0.75 kg
1.25m	IK13FK12513	0.60 kg	IK13FK1253	0.80 kg
1.50m	IK13FK15013	0.65 kg	IK13FK1503	0.85 kg
1.75m	IK13FK17513	0.70 kg	IK13FK1753	0.90 kg
2.00m	IK13FK20013	0.75 kg	IK13FK2003	0.95 kg

Kernmantle rope lanyard with energy absorbing pack and an IKV13 connector on one end and either an IKV13 connector or an IKV3 connector on the other end

Lifeline	Product Code	Weight	Product Code	Weight
1.00m	IK1FK1002	0.40 kg	IK1FK1003	0.55 kg
1.25m	IK1FK1252	0.45 kg	IK1FK1253	0.65 kg
1.50m	IK1FK1502	0.50 kg	IK1FK1503	0.75 kg
1.75m	IK1FK1752	0.55 kg	IK1FK1753	0.85 kg
2.00m	IK1FK2002	0.60 kg	IK1FK2003	0.95 kg

Kernmantle rope lanyard with energy absorbing pack and an IKV1 connector on one end and either an IKV2 connector or an IKV3 connector on the other end



Lifeline	Product Code	Weight	Product Code	Weight
1.00m	IK1FS1002	0.35 kg	IK1FS1003	0.70 kg
1.50m	IK1FS1502	0.40 kg	IK1FS1503	0.80 kg
2.00m	IK1FS2002	0.55 kg	IK1FS2003	0.90 kg

Steel cable lanyard with energy absorbing pack and an IKV1 connector on one end and either an IKV2 connector or an IKV3 connector on the other end

Fixed Length Energy Absorbing Twin Legged Lanyards Kernmantle Rope and Galvanised Steelrope

11mm kernmantle rope and 4.5mm galvanised steelrope energy absorbing lanyards with twin legs, made to a standard fixed length conform to EN355 & BSEN8513. **Custom lengths are made to your specification in our sewing factory in Fulda, Germany.**

Our product codes may at first appear to be complicated, but they are constructed to make up a picture of the lanyard you require.



Lifeline	Product Code	Weight	Product Code	Weight
1.00m	IK13FK100Y13	0.65 kg	IK13FK100Y3	1.45 kg
1.25m	IK13FK125Y13	0.75 kg	IK13FK125Y3	1.55 kg
1.50m	IK13FK150Y13	0.85 kg	IK13FK150Y3	1.65 kg
1.75m	IK13FK175Y13	0.95 kg	IK13FK175Y3	1.75 kg
2.00m	IK13FK200Y13	1.05 kg	IK13FK200Y3	1.85 kg

Twin legged kernmantle rope lanyards with energy absorbing pack, an IKV13 connector on one end and either IKV13 connectors or IKV3 connectors on the tail ends

Lifeline	Product Code	Weight	Product Code	Weight
1.00m	IK1FK100Y2	0.50 kg	IK1FK100Y3	1.40 kg
1.25m	IK1FK125Y2	0.60 kg	IK1FK125Y3	1.50 kg
1.50m	IK1FK150Y2	0.70 kg	IK1FK150Y3	1.60 kg
1.75m	IK1FK175Y2	0.80 kg	IK1FK175Y3	1.70 kg
2.00m	IK1FK200Y2	0.90 kg	IK1FK200Y3	1.80 kg

Twin legged kernmantle rope lanyards with energy absorbing pack, an IKV13 connector on one end and either IKV2 connectors or IKV3 connectors on the tail ends



Lifeline	Product Code	Weight
1.00m	IK30FK100Y3	1.45 kg
1.25m	IK30FK125Y3	1.55 kg
1.50m	IK30FK150Y3	1.60 kg

Twin legged kernmantle rope lanyards with energy absorbing pack, an IKV30 connector on one end and IKV3 connectors on the tail ends

Lifeline	Product Code	Weight	Product Code	Weight
1.50m	IK1FS150Y2	0.50 kg	IK1FS150Y3	0.85 kg
2.00m	IK1FS200Y2	0.60 kg	IK1FS200Y3	0.95 kg

Twin legged steel cable lanyards with energy absorbing pack, an IKV1 connector on one end and either IKV2 connectors or IKV3 connectors on the tail ends

Rope Work Positioning Systems

Product Features

- 12mm kernmantle rope work positioning system with short 11mm kernmantle rope lanyard
- Stainless steel cable adjuster



Lifeline	Product Code	Weight
3.00m	IK13WPK300	1.27 kg
5.00m	IK13WPK500	1.43 kg
7.00m	IK13WPK700	1.59 kg
10.00m	IK13WPK1000	1.83 kg
15.00m	IK13WPK1500	2.23 kg
20.00m	IK13WPK2000	2.63 kg
25.00m	IK13WPK2500	3.03 kg
30.00m	IK13WPK3000	3.43 kg

Kernmantle rope work positioning system with IKV13 connector at each end of the system

Other rope lengths available to special order

Lifeline	Product Code	Weight
3.00m	IK2WPK300	1.24 kg
5.00m	IK2WPK500	1.40 kg
7.00m	IK2WPK700	1.56 kg
10.00m	IK2WPK1000	1.80 kg
15.00m	IK2WPK1500	2.20 kg
20.00m	IK2WPK2000	2.60 kg
25.00m	IK2WPK2500	3.00 kg
30.00m	IK2WPK3000	3.40 kg

Kernmantle rope work positioning system with IKV2 connector at each end of the system



Work Positioning Rope Lanyards

Product Features

- 12mm kernmantle rope work positioning system with short 11mm kernmantle rope lanyard
- Stainless steel cable adjuster



Lifeline	Product Code	Weight
1.50m	IK4WLK1502	0.85 kg
1.75m	IK4WLK1752	0.90 kg
2.00m	IK4WLK2002	0.95 kg

Kernmantle rope lanyard with an IKV4 on the adjuster, an IKV2 connector on one end and a sewn eye on the other end

Other connection options available to special order

Lifeline	Product Code	Weight
1.50m	IK30WLK1502	0.95 kg
1.75m	IK30WLK1752	1.00 kg
2.00m	IK30WLK2002	1.15 kg

Kernmantle rope lanyard with an IKV30 on the adjuster, an IKV2 connector on one end and a sewn eye on the other end



Work Positioning Belt

Product Features

- 45mm polyester webbing, padded waist belt with plated (anti corrosive) steel fittings
- 2 Side 'D' Rings
- Quick release buckle on waist belt
- Adjusts to fit 90cm to 160cm



Guided Type Fall Arrest System

Guided type fall arrest system to EN353-2 with steel or aluminium double action hooks to EN362

Product Features

- 12mm kernmantle rope and polyester webbing energy absorbing pack
- Stainless steel rope grab



Rope Length	Product Code	Weight
10.0m	IK6AG0110002	1.90 kg
15.0m	IK6AG0115002	2.30 kg
20.0m	IK6AG0120002	2.70 kg

Fall arrest system with an IKV2 on the absorber pack and an IKV6 on the top of the rope

Other rope lengths available to special order

Rope Length	Product Code	Weight
10.0m	IK2AG0110002	1.90 kg
15.0m	IK2AG0115002	2.30 kg
20.0m	IK2AG0120002	2.70 kg

Fall arrest system with an IKV2 on the absorber pack and an IKV2 on the top of the rope



Rocker System

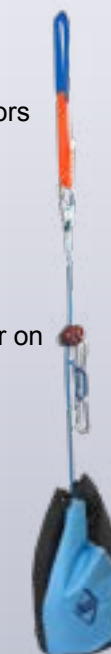
Guided type fall arrest system to EN353-2 and EN358 with aluminium safety connectors to EN362

Product Features

- 11mm kernmantle rope and polyester webbing connection loop lanyard
- Removable aluminium rope grab
- Double action aluminium hook on top of rope and aluminium triple action karabiner on connection loop lanyard
- 1m polyester webbing sling and storage bag

Other rope lengths available to special order

Lifeline	Product Code	Weight
10.0m	IKGBRS10	1.80 kg
15.0m	IKGBRS15	2.20 kg
20.0m	IKGBRS20	2.60 kg
25.0m	IKGBRS25	3.00 kg



Drop Line Weight Bag

Weighted PVC Bag

Product Features

- Webbing Attachment Loop
- Suitable for use on the bottom of guided type fall arrest systems

Product Code	Weight
IKWB	1.50 kg



Webbing Anchorage Sling - EN795 & EN354**Product Features**

Variant lengths given in effective working lengths (E.W.L.)



Variant	Product Code	Weight
0.5m Sling	IKAB50	0.10 kg
1.0m Sling	IKAB100	0.20 kg
1.5m Sling	IKAB150	0.25 kg
2.0m Sling	IKAB200	0.30 kg
28mm Polyester webbing anchorage sewn round sling, with heavy duty tubular wear sleeve		

Steelrope Anchorage Sling - EN795 & EN354**Product Features**

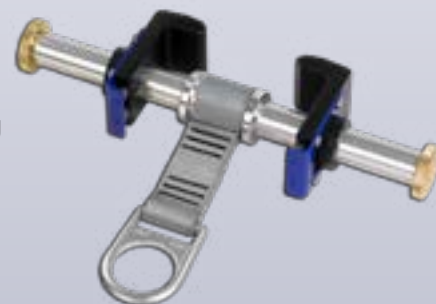
Variant	Product Code	Weight
0.5m Sling	IKAS50	0.20 kg
1.0m Sling	IKAS100	0.30 kg
1.5m Sling	IKAS150	0.35 kg
2.0m Sling	IKAS200	0.40 kg
6mm Galvanised steer rope anchorage sling with swaged eyes at each end		

Anchorage Beam Clamp - EN795**Product Features**

Adjustable anchorage beam clamp

Aluminium alloy bar and jaws, with steel nickel plated D ring

Sprung loaded adjustable jaws with securing screws



Variant	Product Code	Weight
Beam Clamp	IKABC	2.50 kg
Designed to fit 84-265mm wide 'I' beams up to 23mm thick		



Variant	Product Code	Weight
20m Lifeline	IKGBHLLKIT	5.45 kg
Suitable for a maximum of: 2 persons in fall arrest 5 persons in restraint		

Temporary Horizontal Lifeline Kit - EN795**Product Features**

Adjustable webbing lifeline, with sewn connection eyes at each end

Tension indicator within the ratchet mechanism

Supplied with two round slings and two connectors to create end anchors

This stretcher kit comprises of a robust, compact and lightweight Slix100 stretcher, hauling strops and a roll top storage bag.



The flexible material combined to a smooth finish allows easy sliding and permits the stretcher to be rolled width ways or lengthways to facilitate transport. No webbing passes under the stretcher preventing damage whilst dragging. Strong handles around the stretcher allow it to be maneuvered by several rescuers. The stretcher may be hauled vertically or horizontally. The lifting strops secure and allow the stretcher to mould around the casualty. The Slix100 Stretcher may be used in conjunction with any of the IKAR tripod range.



Product Code	Stretcher Dimensions	Kit Weight
IKGBSLIX100	915mm x 2300mm	? kg
S.W.L. 400 Kg		

Large Aluminium Double Action Scaffold Hook



Product Code	Opening	Weight
IKV03	60mm	0.45 kg
Maximum Load Bearing Capacity = 22 kN		

Large Aluminium Double Action Scaffold Hook with swivel



Product Code	Opening	Weight
IKV32	70mm	0.70 kg
Maximum Load Bearing Capacity = 28 kN		

Aluminium Double Action Swivel Hook with Load Indicator



Product Code	Opening	Weight
IKV21	27mm	0.20 kg
Maximum Load Bearing Capacity = 28 kN		

Aluminium Double Action Hook with Captive Eye



Product Code	Opening	Weight
IKV02	27mm	0.20 kg
Maximum Load Bearing Capacity = 30 kN		

Aluminium Karabiner with screwgate mechanism



Product Code	Opening	Weight
IKV12	20mm	0.10 kg
Maximum Load Bearing Capacity = 25 kN		

Aluminium Triple Action Hook with swivel



Product Code	Opening	Weight
IKV34	21mm	0.70 kg
Maximum Load Bearing Capacity = 25 kN		

Steel Double Action Hook



Product Code	Opening	Weight
IKV06	18mm	0.20 kg
Maximum Load Bearing Capacity = 22 kN		

Steel Pear Shaped Karabiner with screwgate mechanism



Product Code	Opening	Weight
IKV14	28mm	0.25 kg
Maximum Load Bearing Capacity = 35 kN Supplied with captivating pin		

Large Aluminium Karabiner with twist lock mechanism



Designed for
Scaffolding
Applications

Product Code	Opening	Weight
IKV42	55mm	0.36 kg
Maximum Load Bearing Capacity = 25 kN Supplied with captivating pin		

Large Steel Karabiner with twist lock mechanism



Product Code	Opening	Weight
IKV31	57mm	0.70 kg
Maximum Load Bearing Capacity = 35 kN Supplied with captivating pin		

Steel Karabiner with triple action mechanism



Suitable for
IKAR devices
with handle
attachment points

Product Code	Opening	Weight
IKV18	Ø 10mm 22mm	0.27 kg
Maximum Load Bearing Capacity = 50 kN		

Large Steel Scaffold Karabiner with twist lock mechanism



Product Code	Opening	Weight
IKV17	54mm	0.70 kg
Maximum Load Bearing Capacity = 35 kN Supplied with captivating pin		

Galvanised Steel Pear Shaped Screwed Link



Product Code	Opening	Weight
IKGBPL	Ø 10mm 21mm	0.20 kg
Maximum Load Bearing Capacity = 36 kN		

Small Stainless Steel Screwed Oval Link



Product Code	Opening	Weight
IKV04	10mm	0.05 kg
IKGBOVL	16½mm	0.05 kg
Maximum Load Bearing Capacity = 41 kN		

Steel Oval Karabiner



Product Code	Opening	Weight
IKV13	17mm	0.15 kg
IKV30	17mm	0.15 kg
IKV35	17mm	0.20 kg
Maximum Load Bearing Capacity = 25 kN Supplied with captivating pin		

NOT PPE: for the security of loads only

The devices below have been approved for vertical work only.

The IKAR Load Arrester range offers additional security of a 'lift', should the primary lift fail. Offered in 3 working lengths to suit most standard lift operations, with a SWL of 300Kg. Connection of the Load Arrester to the lifting point and attachment point of the load should be with a rated shackle – not supplied with the device. It should be noted: This device should **NOT** be used for personnel fall protection.



Product Code	Cable Length	Dimensions (H x W x D)	Weight
IKLA5300	5.0m	471 x 153 x 92 mm	3.0 kg
IKLA10300	10.0m	511 x 193 x 113 mm	4.6 kg
IKLA16300	16.0m	581 x 228 x 97 mm	6.7 kg



- Plastic Housing
- 4.8mm Galvanised Steel Cable with a swaged attachment eye
- 19.5mm diameter eye on aluminium handle
- S. W. L.: 300Kg
- Maximum Arrest Force: 5kN
- Maximum Arrest Distance: 1m
- CE marked to the Machinery Directive for the protection of lifted and lowered goods

11mm Kernmantle



Product Code	Length	Weight
IK2K11C100085	10 m	0.94 kg
IK2K11C200085	20 m	1.74 kg
IK2K11C500085	50 m	4.14 kg
IK2K11C1000085	100 m	7.74 kg
IK2K11C2000085	200 m	16.14 kg

Ø 11mm blue kernmantle rope with sewn thimble eye and small aluminium double action hook at one end and a sewn end-stop termination at the other end

11mm Kernmantle



Product Code	Length	Weight
IK80K11C100085	10 m	0.8 kg
IK80K11C200085	20 m	1.1 kg
IK80K11C500085	50 m	4.0 kg
IK80K11C1000085	100 m	8.0 kg
IK80K11C2000085	200 m	16.0 kg

Ø 11mm blue kernmantle rope with sewn thimble eye at one end and a sewn end-stop termination at the other end

11mm Kernmantle



Product Code	Length	Weight
IK2K11D100085	10 m	0.94 kg
IK2K11D200085	20 m	1.74 kg
IK2K11D500085	50 m	4.14 kg
IK2K11D1000085	100 m	7.74 kg
IK2K11D2000085	200 m	16.14 kg

Ø 11mm red, black and white kernmantle rope with sewn thimble eye and small aluminium double action hook at one end and a sewn end-stop termination at the other end

14mm Semi-Static



Product Code	Length	Weight
IK80K14H50080	5 m	0.8 kg
IK80K14H100080	10 m	1.5 kg
IK80K14H150080	15 m	2.2 kg
IK80K14H200080	20 m	2.9 kg
IK80K14H250080	25 m	3.2 kg

Ø 14mm red and white, semi-static kernmantle lifeline with sewn thimble eye at both ends

Safety lifelines ideal for lifting and dragging casualties in confined space applications

Custom lengths upto 200m for all IKAR ropes are available to special order
Colours will be changed at our discretion if the advertised colours are not available

All IKAR ropes can be supplied with any connector combination, please see pages 34-35

We offer an extensive range of rope devices (descenders, rope grabs, ascenders, pulleys etc.)
Please contact our sales office with your requirement and we will be happy to offer a quotation

Edge Protection Plate



Product Code	Weight
42-Z3	1.0 kg
Corrosion-resistant stainless steel edge protector with a 90° angle Includes 1.5m plastic covered steel cable Ø 3mm 150 x 120 x 3mm	

Drop Line Weight Bag



Product Code	Weight
IKGBWB	1.5 kg
PVC weighted bag with a webbing attachment loop Suitable for use on the bottom of a guided type fall arrest system	

Small Metal Storage Case



Product Code	Dimensions	Weight
IK41-Z50	39 x 25 x 11 cm	2.4 kg
Solid and robust metal design for safe storage and transport of equipment and accessories		

Metal Storage Case



Product Code	Dimensions	Weight
IK41-Z53	40 x 19 x 29 cm	3.5 kg
IK41-Z55	50 x 30 x 25 cm	3.8 kg
Solid and robust metal design for safe storage and transport of equipment and accessories		

Plastic Storage Case



Product Code	Dimensions	Weight
IK41-Z60	42 x 34 x 16 cm	1.5 kg
Plastic storage case for safe storage and transport of equipment and accessories		

Small Rescue Kit Bag



Product Code	Weight
IKGBRKBS	3.5 kg
PU nylon bag with zip top fastening and an A5 clear window / front pocket Holds 20m of Ø11mm kernmantle rope	

Harness Bag



Product Code	Dimensions	Weight
IKGBHB	30 x 40 cm	0.05 kg
Lightweight nylon drawstring storage bag Holds a harness, lanyard and anchorage sling		

Rope Bag with IKAR Logo



Product Code	Dimensions	Weight
IK40-55N	Ø 30 x 45 cm	0.3 kg
Lightweight rope / equipment bag with a drawstring top and single shoulder carry strap Holds 80m of Ø11mm kernmantle rope		

Rope Bag with Clear Pocket



Product Code	Dimensions	Weight
IK40-56	Ø 30 x 60 cm	0.5 kg
Mid-weight rope / equipment bag with a drawstring top and a single shoulder carry strap Holds 100m of Ø11mm kernmantle rope		

IKAR Flat Rope Bag



Product Code	Weight
IKGBRBF	0.3 kg
Small heavy duty PVC rope bag with a drawstring top, a single carry strap and an A5 clear PVC window / front pocket Holds 25m of Ø11mm kernmantle rope	

Heavy Duty PVC IKAR Rope Bag



Product Code	Dimensions	Weight
IKGBRB1	39 x 25 x 11 cm	0.6 kg
Heavy duty PVC rope bag with a drawstring top and 2 shoulder carry straps Haul loops and reinforced bottom Holds 80m of Ø11mm kernmantle rope		

Tripod Bag



Product Code	Dimensions	Weight
IKGBTB	68" long	1.6 kg
Heavy duty PVC carry bag with a full length zip and webbing carry handles		

Rucksack for Harness Kits



Product Code	Weight
IKGBHKB	0.7 kg
Durable rucksack for harness kits, with multi pockets and adjustable shoulder straps	

We can design and manufacture bags to individual requirements

Please contact our sales office with your specification and will be happy to offer a quotation

IKAR Controlled Descent Device Rescue Kits



Product Code	Rope Length	Weight
IKGBABS3AWH20	20m	6.55 kg
IKGBABS3AWH30	30m	7.10 kg
IKGBABS3AWH40	40m	7.65 kg
IKGBABS3AWH50	50m	8.20 kg

Pre-rigged rescue kit comprising of:

ABS3aWH controlled descent device with rescue lifting facility

Ø10mm kernmantle rope with small double action hooks at each end

1.0m webbing anchorage sling
Small steel screwgate karabiner
IKAR extendable remote reach rescue pole
Purpose made rescue tackle bag
Information / Instruction card

Product Code	Rope Length	Weight
IKGBABS4WH20	20m	7.85 kg
IKGBABS4WH30	30m	8.40 kg
IKGBABS4WH40	40m	8.95 kg
IKGBABS4WH50	50m	9.50 kg

Pre-rigged rescue kit comprising of:

ABS4WH 2 person controlled descent device with rescue lifting facility

Ø10mm kernmantle rope with small double action hooks at each end

1.0m webbing anchorage sling
Small steel screwgate karabiner
IKAR extendable remote reach rescue pole
Purpose made rescue tackle bag
Information / Instruction card

All rescue kits can be supplied with additional rope lengths as required

Maximum rope length available is 200m

We can design and assemble rescue systems to individual requirements

Please contact our sales office to discuss your specification and we will be happy to offer a quotation

IKAR Gotcha Rescue Kit

Product Code	Rope Length	Weight
IKGBGOT50	50m	7.50 kg

Pre-rigged rescue system incorporating a 50m rope pulley system and a remote reach extendable pole

Complete with attachment sling, automatic grabber and waterproof rucksack

50m rope system gives an effective working length of 12.5m from a low anchor point and 16m from a high anchor point

100m 150m and 200m available to special order



Lower Off Rescue Kit

Product Code	Rope Length	Weight
IKGBLOK20	20m	3.00 kg

Pre-rigged lower off rescue kit, complete with attachment sling, storage bag and steel cutters



All rescue kits can be supplied with additional rope lengths as required

Maximum rope length available is 200m

Bag specification may alter

We can design and assemble rescue systems to individual requirements

Please contact our sales office to discuss your specification and we will be happy to offer a quotation

For Scaffolders - IKGBGKIT2



Product Code	Weight
IKGBGKIT2	2.70 kg

Comprises:
IKG1A: Single point adjustable fall arrest harness with push through buckles on legs and chest
IK13FB1753: 1.75m energy absorbing webbing lanyard with a steel screwgate karabiner and a large double action hook
IKGBHKB: Durable rucksack with multiple pockets and adjustable straps for carrying and storing

For Scaffolders - IKGBGKIT3



Product Code	Weight
IKGBGKIT3	2.80 kg

Comprises:
IKG1A: Single point adjustable fall arrest harness with push through buckles on legs and chest
IK13FK1753: 1.75m energy absorbing rope lanyard with a steel screwgate karabiner and a large double action hook
IKGBHKB: Durable rucksack with multiple pockets and adjustable straps for carrying and storing

For General Purpose - IKGBGKIT4



Product Code	Weight
IKGBGKIT4	2.70 kg

Comprises:
IKG2A: Two point adjustable fall arrest harness with push through buckles on legs and chest
IK13FB20013: 2.0m energy absorbing webbing lanyard with a steel screwgate karabiner at each end
IKGBHKB: Durable rucksack with multiple pockets and adjustable straps for carrying and storing

For General Purpose - IKGBGKIT5



Product Code	Weight
IKGBGKIT5	3.35 kg

Comprises:
IKG2A: Two point adjustable fall arrest harness with push through buckles on legs and chest
IKGB20RL13: 2.7m car seatbelt style, mini retractable fall arrest block with an aluminium double action hook and a steel screwgate karabiner
IKGBHKB: Durable rucksack with multiple pockets and adjustable straps for carrying and storing

For Use on Sites - IKGBGKIT6



Product Code	Weight
IKGBGKIT6	4.20 kg

Comprises:
IKG2A: Two point adjustable fall arrest harness with push through buckles on legs and chest
IK13FB20013: 2.0m energy absorbing webbing lanyard with a steel screwgate karabiner at each end
IKGB20RL13: 2.7m car seatbelt style, mini retractable fall arrest block with an aluminium double action hook and a steel screwgate karabiner
IKAB100: 1.0m webbing anchorage sling
IKGBHKB: Durable rucksack with multiple pockets and adjustable straps for carrying and storing

For Use on Sites - IKGBGKIT7



Product Code	Weight
IKGBGKIT7	3.86 kg

Comprises:
IKG2A: Two point adjustable fall arrest harness with push through buckles on legs and chest
IK13FB20013: 2.0m energy absorbing webbing lanyard with a steel screwgate karabiner at each end
IKAB100: 1.0m webbing anchorage sling
HWB2: 2.0m fall arrest block with an aluminium housing, webbing lifeline and an aluminium double action hook
IKV13: Steel screwgate karabiner
IKGBHKB: Durable rucksack with multiple pockets and adjustable straps for carrying and storing

For MEWP Users - IKGBGKIT1

Product Code	Weight
IKGBGKIT1	2.40 kg

Comprises:
IKG1A: Single point adjustable fall arrest harness with push through buckles on legs and chest
IK13B150A13: 1.5m adjustable restraint webbing lanyard with a steel screwgate karabiner at each end
IKGBHKB: Durable rucksack with multiple pockets and adjustable straps for carrying and storing



For Climbers - IKGBGKIT8

Product Code	Weight
IKGBKIT8	3.85 kg

Comprises:
IKG2B: Two point adjustable fall arrest harness with quick release buckles on legs and chest
IK13FK150Y3: 1.5m energy absorbing twin legged, webbing lanyard with a large double action hook on each leg and a steel screwgate karabiner on the energy absorbing pack
IKGBHKB: Durable rucksack with multiple pockets and adjustable straps for carrying and storing



For Climbers - IKGBGKIT9

Product Code	Weight
IKGBKIT9	4.75 kg

Comprises:
IKG2BW: Two point adjustable fall arrest harness with an integral waistbelt and quick release buckles on legs and chest
IK13FK150Y3: 1.5m energy absorbing twin legged, webbing lanyard with a large double action hook on each leg and a steel screwgate karabiner on the energy absorbing pack
IK4WLK1752: 1.75m work positioning rope lanyard with an aluminium double action hook with captive eye and a small stainless steel screwed oval link
IKGBHKB: Durable rucksack with multiple pockets and adjustable straps for carrying and storing



We can also make up bespoke harness kits to your content needs and work application

Please contact ur sales office to discuss your requirements and we will be happy to offer a quotation