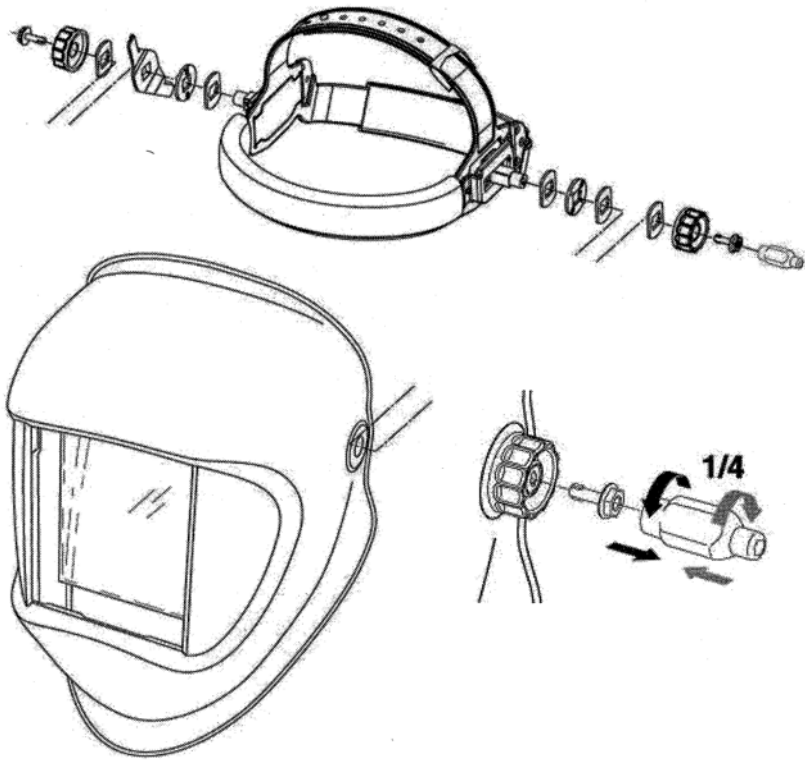


# Headgear Assembly Instructions



**SPERIAN Welding Protection AG**  
Industriestrasse 2  
CH-9630 Wattwil

Tel : +41 (0)71 987 42 00  
Fax : +41 (0)71 987 42 99

[www.sperianprotection.com](http://www.sperianprotection.com)



V  
Lic 1457  
AS/NZS 1337



*professional*

9610.040.03 – 05.08 Printed in Switzerland

# Optrel GALAXY Flip up 2 x 4 1/4" AUS

Instruction Manual

**HIGH IMPACT APPROVED**

ENGLISH



*professional*

# !WARNING!

GB

**READ ALL INSTRUCTIONS AND WARNINGS BEFORE USING PRODUCT. FAILURE TO FOLLOW THESE WARNINGS MAY RESULT IN SERIOUS INJURY OR BLINDNESS. DO NOT REMOVE ANY PART OR MAKE ANY MODIFICATIONS TO THIS PRODUCT. DO NOT USE THIS PRODUCT FOR PROTECTION AGAINST LASER LIGHT.**

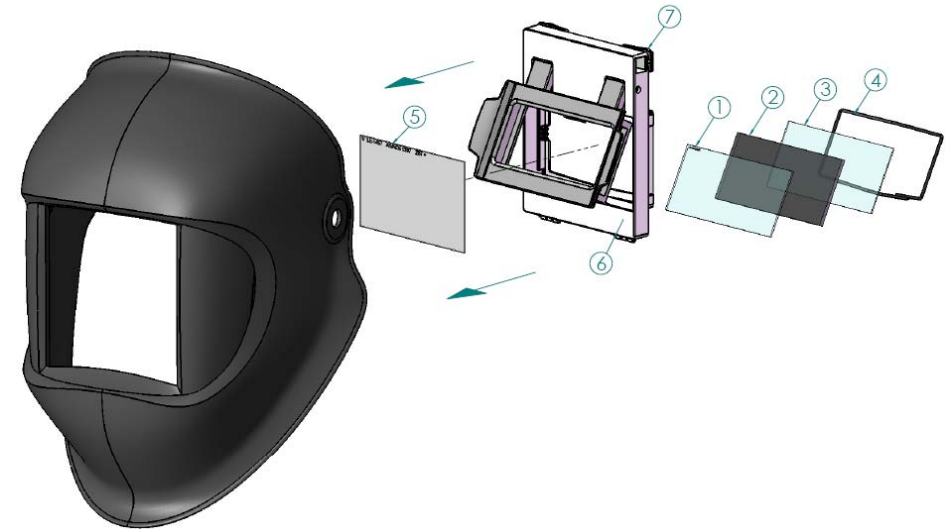
# !WARNING!

1. Welding can be dangerous. You can be hurt by fumes, rays, electricity flame and hot metal. Failure to use adequate ventilation can cause serious injury or death. Do not use this or any other welding product unless you have been completely instructed on its use by a competent and certified welding instructor.

2. This helmet is approved to High Impact under AS/NZS 1337:1992. Use this helmet only for face and secondary eye protection against injurious rays, sparks, spatter, high energy flying fragments and small particles caused during welding, machine disc cutting, scaling, grinding and machining metals, as recommended in table 4.2 AS/NZS 1336:1997 (Recommended practices for occupational eye protection).

3. Pitted or scratched face plates reduce vision and seriously reduce impact protection - replace immediately.

4. Inspect frequently and immediately replace worn or damaged parts.



## 2 x 4 1/4" Galaxy passive Flip up helmet

- 1 - Install clear cover plate into flip-up portion
- 2 - Install filter plate into flip-up portion (with the shade designation facing out)
- 3 - Install inside cover lens into flip-up portion
- 4 - Insert retention spring into flip-up portion
- 5 - Insert inside cover lens safety plate
- 6 - Insert adapter into helmet
- 7 - Push the adapter slide attachments into place to secure the adapter in the helmet

Schutzstufentabelle EN169  
Shade level chart EN169

Tableau des niveaux de protection EN169  
Tabella dei livelli di protezione EN169

Process	Ampere																					
	1.5	6	10	15	30	40	60	70	100	125	150	175	200	225	250	300	350	400	450	500	600	
	8			9			10			11			12			13			14			
									9		10		11		12		13		14			
											10		11		12		13		14			
			8		9		10		11		12		13									
	8			9			10			11			12			13						
									9		10		11		12		13					
	4	5	6	7	8	9	10	11	12													