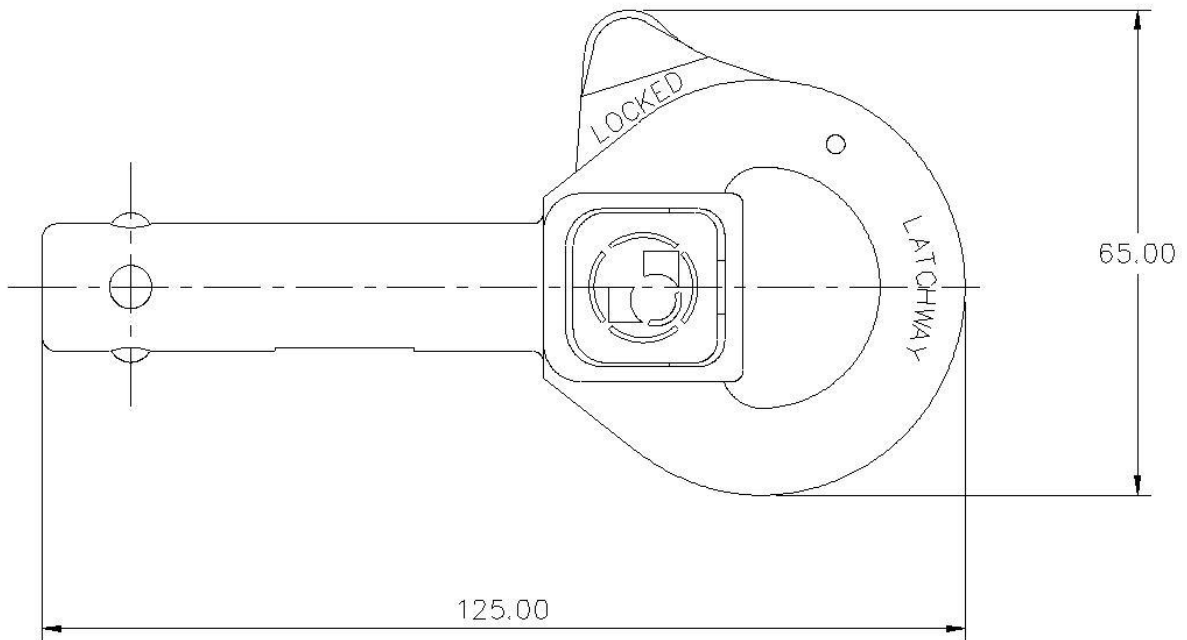
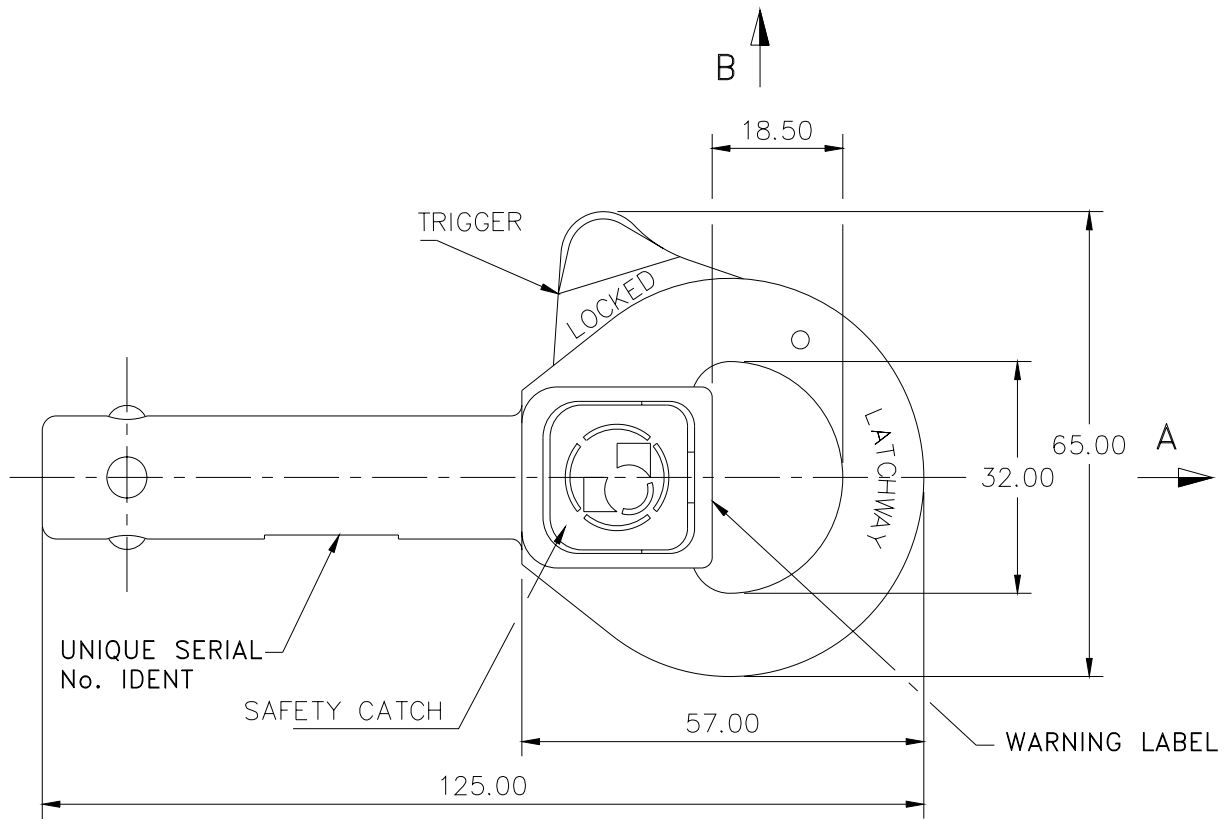


ManSafe PushLock Eyebolt



Datasheet No.: 12010_98	DAR No.: 2536	Issue: 8	Issue Date: 09/05/06
Approved: T.Bissett			Sheet 1 of 3



Materials

Body	ANC22 (17/4 PH) stainless steel
Trigger and Safety Catch	ANC4 (316) stainless steel
Shaft	316S stainless steel
Locking shaft	martensitic stainless steel

Strength

Axial and normal static strength (directions A and B) > 22kN

Quality Control

1. Eyebolt body 100% X-Ray and dye penetrant examination
2. Batch conformance test – minimum static strength 15kN
3. 100% functional test

Datasheet No.: 12010_98	DAR No.: 2536	Issue: 8	Issue Date: 09/05/06
Approved: T.Bissett			Sheet 2 of 3

Approvals

The anchorage conforms to EN 795 Class A1 and CE marked

Notes

1. Always follow the user instructions.
2. For the attachment of personal protective equipment and one person only.
3. Always use an energy absorbing lanyard conforming to EN 354 or appropriate national standards with a maximum deployment force of 6kN.
4. Always use a full body harness conforming to EN 361 or appropriate national standards when connecting to the PushLock eyebolt.
5. The PushLock eyebolt and sockets have are designed for a maximum applied load of 6kN in both axial and normal directions (directions A and B).
6. Installation and testing of the eyebolt and socket shall comply with the requirements of EN795 and BS7883:2005 or other appropriate information or national standards.
7. Refer to data sheets 12020_98, 12021_98, 12022_98, 12023_98, 12070_98 and 12090_98 for details of the PushLock sockets.
8. Refer to installation instructions 12020_99, 12022_99, 12021_99, 12023_99, 12070_99 and 12090_99 for installation guidance for the PushLock sockets.

Datasheet No.: 12010_98	DAR No.: 2536	Issue: 8	Issue Date: 09/05/06
Approved: T.Bissett			Sheet 3 of 3