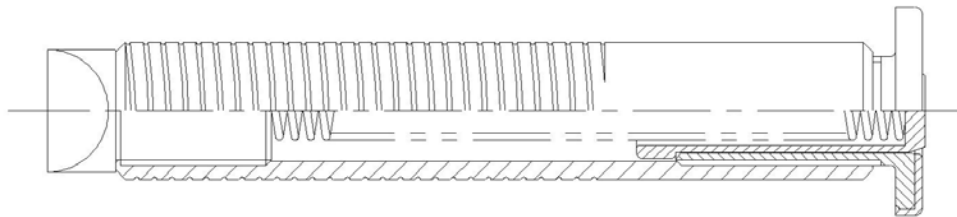


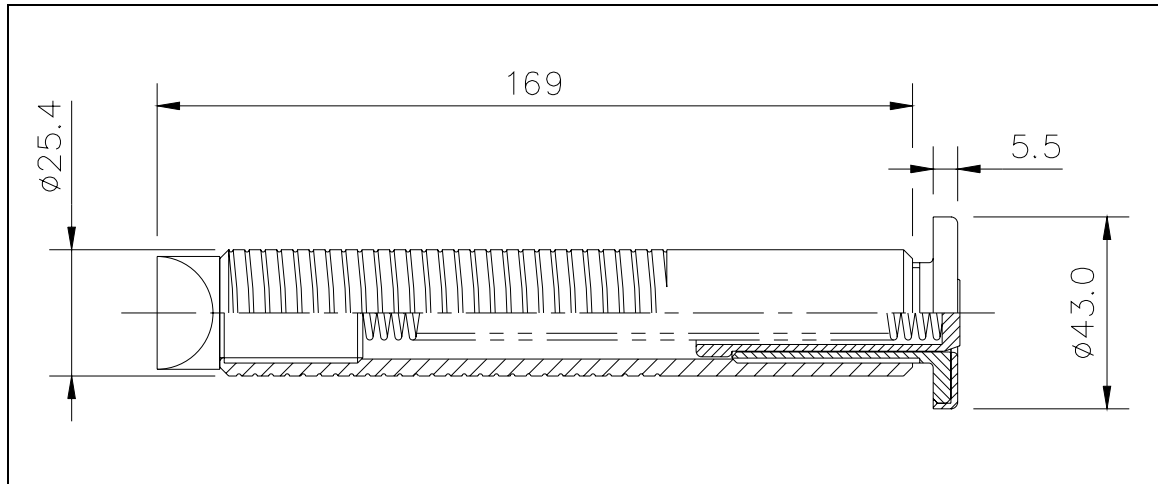
ManSafe PushLock Socket And Cap



Datasheet No.: 12020_98	DAR No.: 2536	Issue: 9	Issue Date: 09/05/06
Approved: T.Bissett			Sheet 1 of 3

© Copyright 2006 Latchways plc

No part of this document may be reproduced or transmitted in any form or by any means, without prior permission in writing from Latchways plc.



Materials

Socket tube	316S stainless steel
Collar	316S stainless steel
Spring	316S stainless steel
Blanking plug, cap and plunger	Polypropylene

Strength

Static strength (axial and normal directions) >22 kN

Quality Control

1. 100% visual inspection
2. Sample dimensional inspection

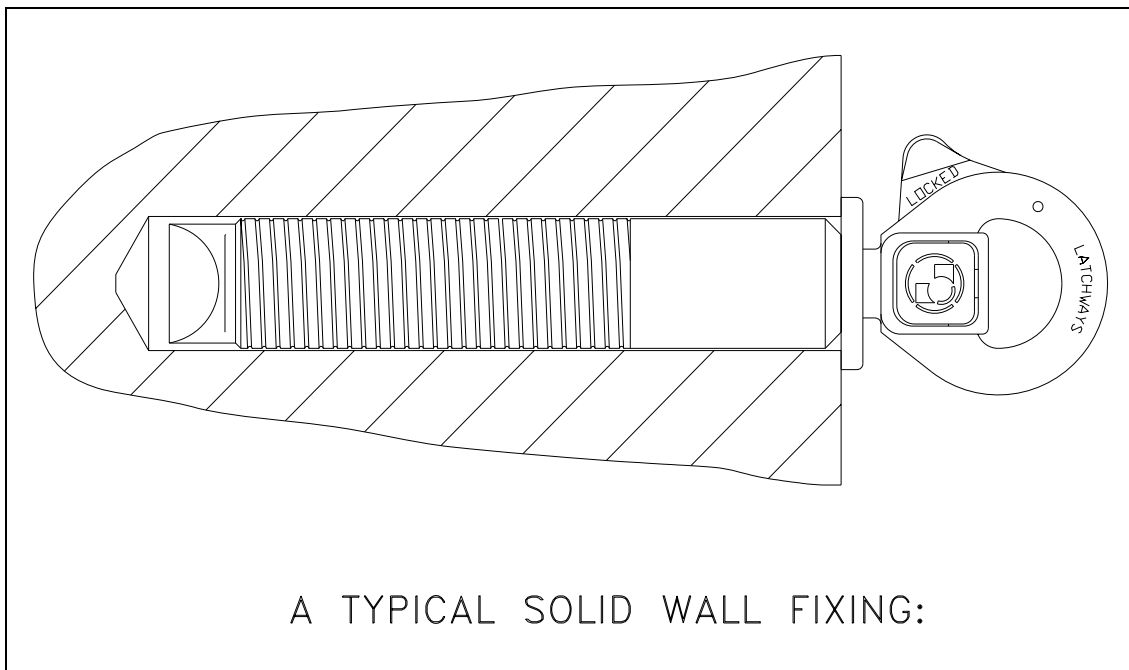
Approvals

The anchorage conforms to BS EN795 Class A1 when used with PushLock Eyebolt part no. 12010.

Datasheet No.: 12020_98	DAR No.: 2536	Issue: 9	Issue Date: 09/05/06
Approved: T.Bissett			Sheet 2 of 3

Notes

1. Always follow the user instructions
2. Socket should be installed flush to the substrate and is not recommended for cantilever applications. Refer to installation instructions 12020_99 for further information.
3. Not recommended for dry-lined structures.
4. Refer to datasheet 12010_98 for PushLock eyebolt information.
5. Installation and testing of the socket shall comply with the requirements of EN795 and BS7883:2005 or other appropriate information or national standards.
6. The PushLock system has been designed for an applied load of 6kN in the normal and axial directions.



Datasheet No.: 12020_98	DAR No.: 2536	Issue: 9	Issue Date: 09/05/06
Approved: T.Bissett			Sheet 3 of 3