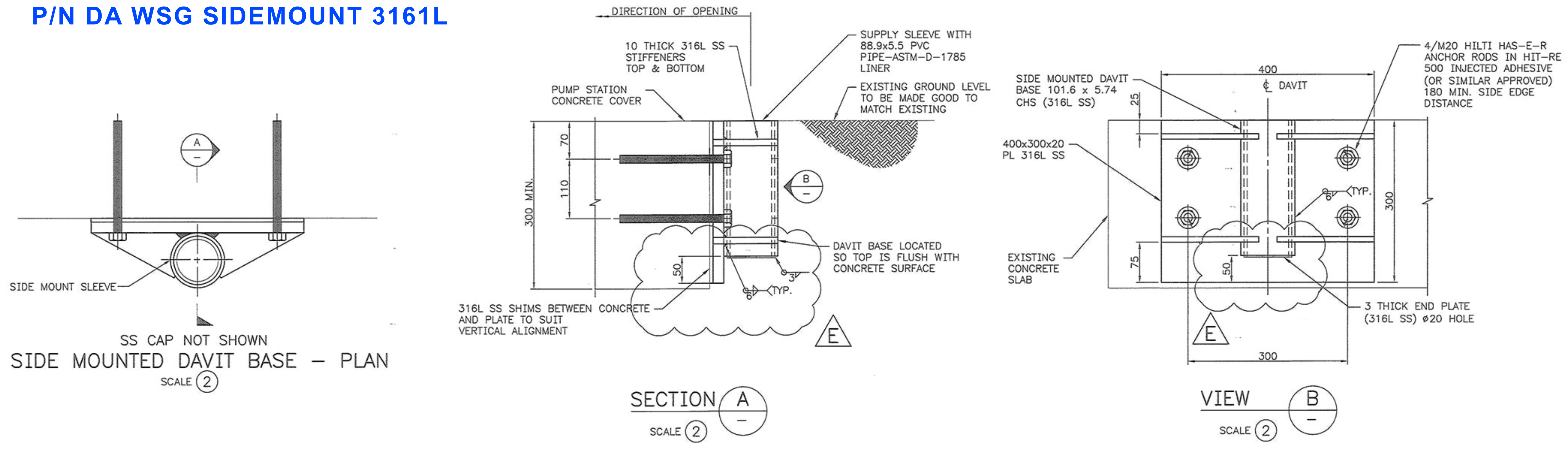


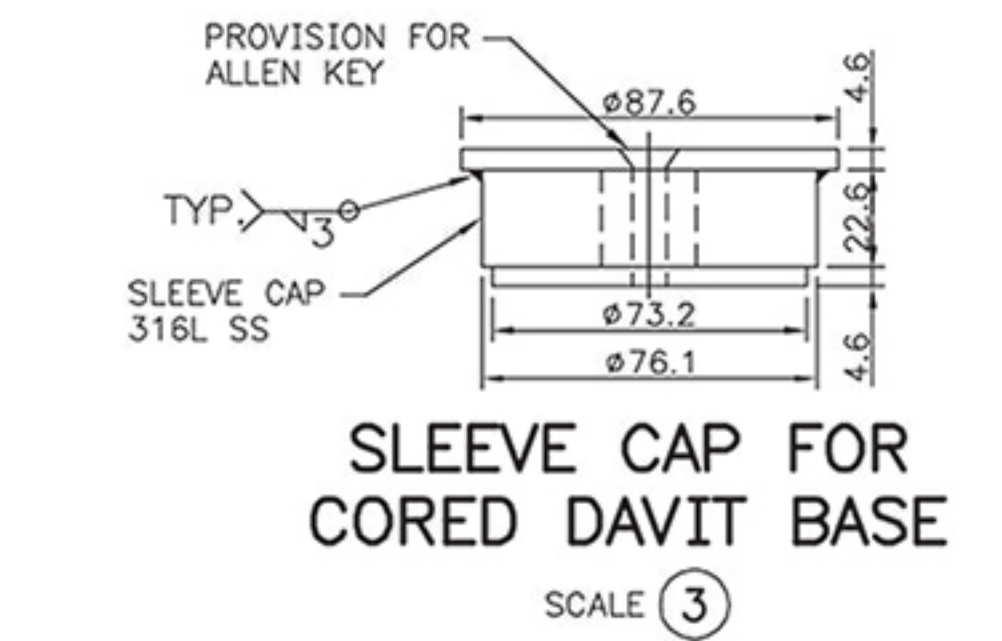
P/N DA WSG SIDEMOUNT 3161L



Drawing 1

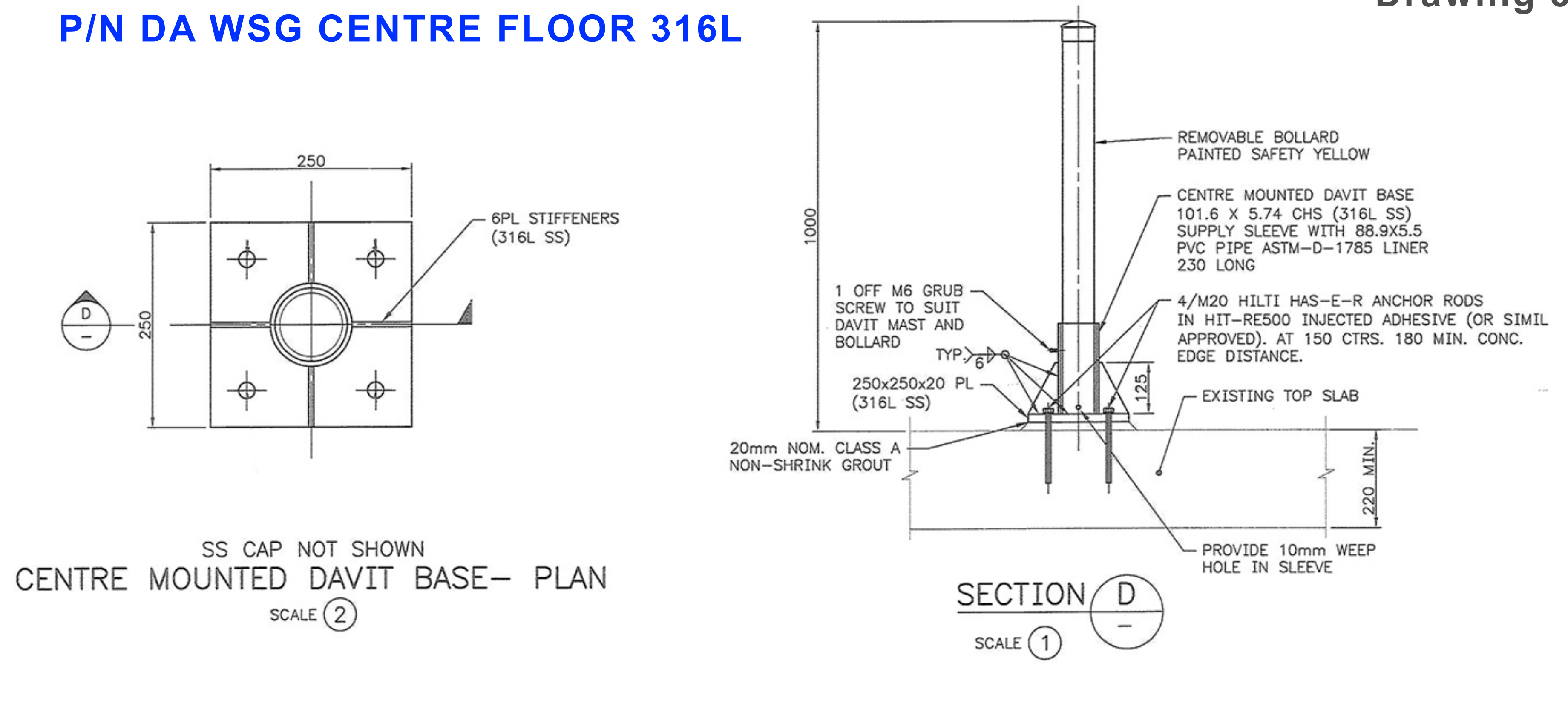
P/N DA WSG DAVIT CAP 033

Drawing 2



THE MAKE AND MODEL ARE SUBJECT TO CHANGE

P/N DA WSG CENTRE FLOOR 316L



Drawing 3

P/N DA WSG CORE

Drawing 4

